

KitchenAid®

REFRIGERATOR

Use & Care Guide

For questions about features, operation/performance, parts, accessories, or service, call: **1-800-422-1230** or visit our website at...

www.kitchenaid.com

In Canada, call: **1-800-807-6777**, or visit our website at...

www.KitchenAid.ca

REFRIGERADOR

Manual de uso y cuidado

Si tiene preguntas respecto a las características, funcionamiento, rendimiento, partes, accesorios o servicio técnico, llame al: **1-800-422-1230** o visite nuestro sitio de internet en...

www.kitchenaid.com

En Canadá, llame al: **1-800-807-6777**, o visite nuestro sitio de internet en...

www.KitchenAid.ca

RÉFRIGÉRATEUR

Guide d'utilisation et d'entretien

Au Canada, pour assistance, installation ou service, composez le **1-800-807-6777** ou visitez notre site web à...

www.KitchenAid.ca

Table of Contents/Índice/Table des matières2

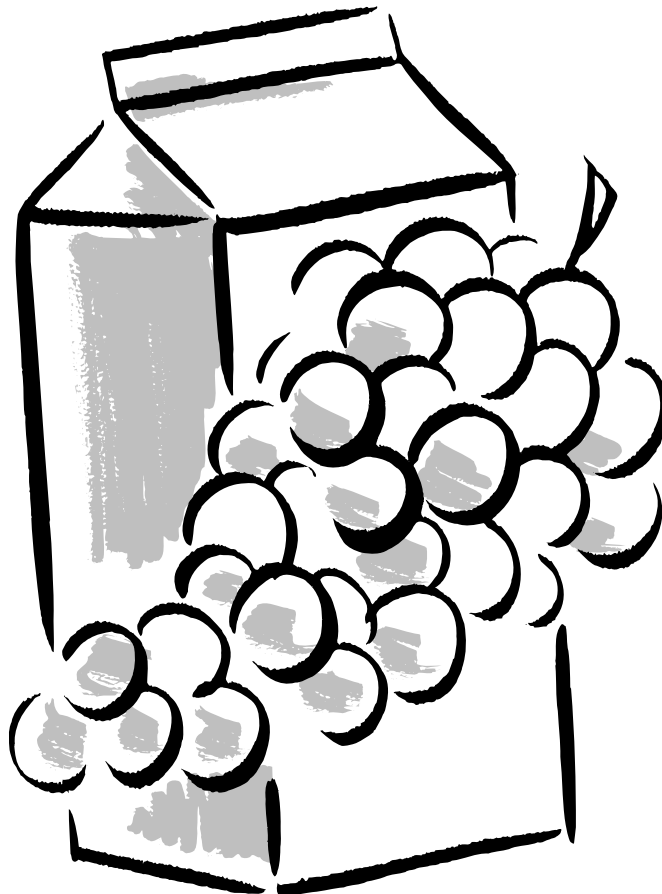


TABLE OF CONTENTS

REFRIGERATOR SAFETY	3	REFRIGERATOR FEATURES	6
INSTALLATION INSTRUCTIONS	4	Refrigerator Shelves	6
Tools and Parts	4	Lower Shelf.....	6
Location Requirements	4	Wire Storage Bin	6
Electrical Requirements	4	REFRIGERATOR CARE	7
Unpack the Refrigerator.....	4	Cleaning.....	7
Door Closing.....	5	Changing the Light Bulb.....	7
Base Grille	5	Vacation and Moving Care.....	7
REFRIGERATOR USE	6	TROUBLESHOOTING	8
Normal Sounds	6	ASSISTANCE OR SERVICE	9
Using the Control	6	In the U.S.A.	9
		In Canada	9
		Accessories	9
		WARRANTY	10

ÍNDICE

SEGURIDAD DEL REFRIGERADOR	11	CARACTERÍSTICAS DEL REFRIGERADOR	14
INSTRUCCIONES DE INSTALACIÓN	12	Estantes del refrigerador	14
Piezas y herramientas	12	Estante inferior.....	14
Requisitos de ubicación.....	12	Depósito de alambre	14
Requisitos eléctricos	12	CUIDADO DEL REFRIGERADOR	15
Desempaque el refrigerador	12	Limpieza	15
Cómo cerrar la puerta	13	Cómo cambiar el foco.....	15
Rejilla de la base	13	Cuidado durante las vacaciones y mudanzas.....	15
USO DE SU REFRIGERADOR	14	SOLUCIÓN DE PROBLEMAS	16
Sonidos normales	14	AYUDA O SERVICIO TÉCNICO	17
Uso del control.....	14	En los EE.UU.	17
		En Canadá	18
		Accesorios	18
		GARANTÍA	18

TABLE DES MATIÈRES

SÉCURITÉ DU RÉFRIGÉRATEUR	20	ENTRETIEN DU RÉFRIGÉRATEUR	24
INSTRUCTIONS D'INSTALLATION	21	Nettoyage	24
Outils et pièces.....	21	Changement de l'ampoule d'éclairage	24
Exigences d'emplacement.....	21	Précautions à prendre pour les vacances et avant un déménagement	25
Spécifications électriques	21	DÉPANNAGE	25
Déballage du réfrigérateur	21	ASSISTANCE OU SERVICE	26
Fermeture de la porte.....	22	Aux États-Unis.....	26
Grille de la base.....	22	Au Canada	27
UTILISATION DU RÉFRIGÉRATEUR	23	Accessoires	27
Sons normaux	23	GARANTIE	27
Utilisation de la commande	23		
CARACTÉRISTIQUES DU RÉFRIGÉRATEUR	23		
Tablettes du réfrigérateur.....	23		
Tablette inférieure.....	23		
Compartiment de rangement métallique.....	24		

REFRIGERATOR SAFETY

Your safety and the safety of others are very important.

We have provided many important safety messages in this manual and on your appliance. Always read and obey all safety messages.



This is the safety alert symbol.

This symbol alerts you to potential hazards that can kill or hurt you and others.

All safety messages will follow the safety alert symbol and either the word "DANGER" or "WARNING." These words mean:

⚠ DANGER

You can be killed or seriously injured if you don't immediately follow instructions.

⚠ WARNING

You can be killed or seriously injured if you don't follow instructions.

All safety messages will tell you what the potential hazard is, tell you how to reduce the chance of injury, and tell you what can happen if the instructions are not followed.

IMPORTANT SAFETY INSTRUCTIONS

WARNING: To reduce the risk of fire, electric shock, or injury when using your refrigerator, follow these basic precautions:

- Plug into a grounded 3 prong outlet.
- Do not remove ground prong.
- Do not use an adapter.
- Do not use an extension cord.
- Disconnect power before servicing.
- Replace all parts and panels before operating.
- Remove doors from your old refrigerator.
- Use nonflammable cleaner.
- Keep flammable materials and vapors, such as gasoline, away from refrigerator.
- Use two or more people to move and install refrigerator.

SAVE THESE INSTRUCTIONS

Proper Disposal of Your Old Refrigerator

⚠ WARNING

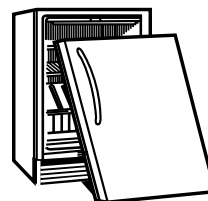
Suffocation Hazard

Remove doors from your old refrigerator.

Failure to do so can result in death or brain damage.

Before You Throw Away Your Old Refrigerator or Freezer:

- Take off the door.
- Leave the shelves in place so that children may not easily climb inside.



IMPORTANT: Child entrapment and suffocation are not problems of the past. Junked or abandoned refrigerators are still dangerous – even if they will sit for “just a few days.” If you are getting rid of your old refrigerator, please follow these instructions to help prevent accidents.

INSTALLATION INSTRUCTIONS

Tools and Parts

TOOLS NEEDED:

Gather the required tools and parts before starting installation.

- Phillips screwdriver

Location Requirements

⚠ WARNING



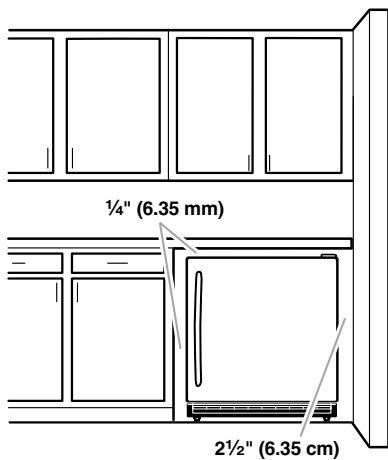
Explosion Hazard

Keep flammable materials and vapors, such as gasoline, away from refrigerator.

Failure to do so can result in death, explosion, or fire.

To ensure proper ventilation for your refrigerator, allow for a 1/4" (6.35 mm) space on each side and at the top. When installing your refrigerator next to a fixed wall, leave 2 1/2" (6.35 cm) minimum clearance on the hinge side to allow for the door to swing open.

NOTE: It is recommended that you do not install the refrigerator near an oven, radiator, or other heat source. Do not install in a location where the temperature will fall below 55°F (13°C). For best performance, do not install the refrigerator behind a cabinet door or block the base grille.



Electrical Requirements

⚠ WARNING



Electrical Shock Hazard

Plug into a grounded 3 prong outlet.

Do not remove ground prong.

Do not use an adapter.

Do not use an extension cord.

Failure to follow these instructions can result in death, fire, or electrical shock.

Before you move your refrigerator into its final location, it is important to make sure you have the proper electrical connection.

Recommended grounding method

A 115 Volt, 60 Hz., AC only, 15- or 20-amp fused, grounded electrical supply is required. It is recommended that a separate circuit serving only your refrigerator be provided. Use an outlet that cannot be turned off by a switch. Do not use an extension cord.

NOTE: Before performing any type of installation, cleaning, or removing a light bulb, unplug refrigerator or disconnect power.

Unpack the Refrigerator

⚠ WARNING

Excessive Weight Hazard

Use two or more people to move and install refrigerator.

Failure to do so can result in back or other injury.

Remove the Packaging

- Remove tape and glue residue from surfaces before turning on the refrigerator. Rub a small amount of liquid dish soap over the adhesive with your fingers. Wipe with warm water and dry.
- Do not use sharp instruments, rubbing alcohol, flammable fluids, or abrasive cleaners to remove tape or glue. These products can damage the surface of your refrigerator. For more information, see "Refrigerator Safety."
- Dispose of/recycle all packaging materials.

When Moving Your Refrigerator:

Your refrigerator is heavy. When moving the refrigerator for cleaning or service, be sure to cover the floor with cardboard or hardboard to avoid floor damage. Always pull the refrigerator straight out when moving it. Do not wiggle or “walk” the refrigerator when trying to move it, as floor damage could occur.

Clean Before Using

After you remove all of the package materials, clean the inside of your refrigerator before using it. See the cleaning instructions in “Refrigerator Care.”

Important information to know about glass shelves and covers:

Do not clean glass shelves or covers with warm water when they are cold. Shelves and covers may break if exposed to sudden temperature changes or impact, such as bumping. Tempered glass is designed to shatter into many small, pebble-size pieces. This is normal. Glass shelves and covers are heavy. Use both hands when removing them to avoid dropping.

Door Closing

Door Closing

Your refrigerator has four leveling legs. If your refrigerator seems unsteady or you want the door to close more easily, adjust the refrigerator’s tilt using the instructions below.

⚠ WARNING



Electrical Shock Hazard

Plug into a grounded 3 prong outlet.

Do not remove ground prong.

Do not use an adapter.

Do not use an extension cord.

Failure to follow these instructions can result in death, fire, or electrical shock.

1. Plug into a grounded 3 prong outlet.

⚠ WARNING

Excessive Weight Hazard

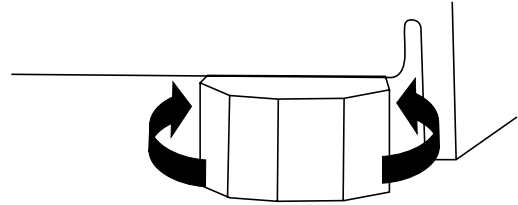
Use two or more people to move and install refrigerator.

Failure to do so can result in back or other injury.

2. Move the refrigerator into its final location.

3. Turn the leveling legs to the right to lower the refrigerator or turn the leveling legs to the left to raise it. It may take several turns of the leveling legs to adjust the tilt of the refrigerator.

NOTE: Having someone push against the top of the refrigerator takes some weight off the leveling legs. This makes it easier to adjust the leveling legs.

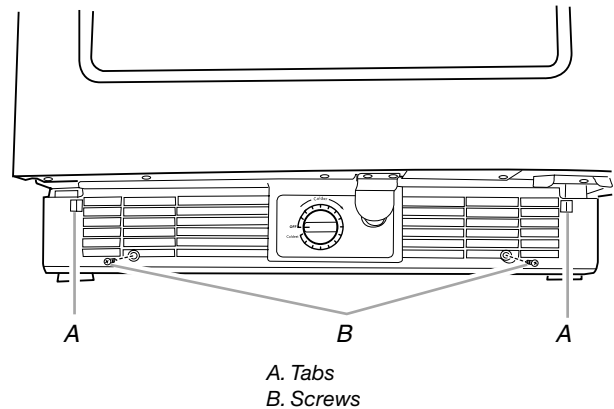


4. Open the door again to make sure that it closes as easily as you like. If not, tilt the refrigerator slightly more to the rear by turning both front leveling screws to the right. It may take several more turns, and you should turn both leveling legs the same amount.

Base Grille

Remove the Base Grille

1. Open the refrigerator door.
2. Using a Phillips screwdriver, remove the two screws. Push both tabs in toward the center to release the base grille from the refrigerator.



3. Remove the base grille.

Replace the Base Grille

1. Open the refrigerator door.
2. Position the base grille so that both tabs align and the base grille snaps into place. Replace the two screws. Tighten the screws.

REFRIGERATOR USE

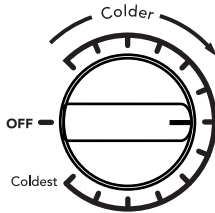
Normal Sounds

Your new refrigerator may make sounds that your old one didn't make. Because the sounds are new to you, you might be concerned about them. Most of the new sounds are normal. Hard surfaces, such as the flooring and surrounding structures, can make the sounds seem louder. The following describes the kinds of sounds and what may be making them.

- Your refrigerator is designed to run more efficiently to keep your food items at the desired temperatures and to minimize energy usage. The high efficiency compressor and fans may cause your refrigerator to run longer than your old one. You may also hear a pulsating or high-pitched sound from the compressor or fans adjusting to optimize performance.
- Rattling noises may come from the flow of refrigerant or items stored inside the refrigerator.
- As each cycle ends, you may hear a gurgling sound due to the refrigerant flowing in your refrigerator.
- You may hear water running into the drain pan when the refrigerator is defrosting.
- You may hear clicking sounds when the refrigerator starts or stops running.

Using the Control

For your convenience, your refrigerator control is preset at the factory. When you first install your refrigerator, make sure that the control is still preset to the mid-setting as shown.



Adjusting Controls

The mid-setting indicated in the previous section should be correct for normal usage. The control is set correctly when beverages are as cold as you like.

If you need to adjust the temperature, wait at least 24 hours between adjustments and then recheck the temperature.

To make the refrigerator colder, adjust the control to the next higher setting. To make the refrigerator less cold, adjust the control to the next lower setting.

REFRIGERATOR FEATURES

Important information to know about glass shelves and covers:

Do not clean glass shelves or covers with warm water when they are cold. Shelves and covers may break if exposed to sudden temperature changes or impact, such as bumping. Tempered glass is designed to shatter into many small, pebble-size pieces. This is normal. Glass shelves and covers are heavy. Use both hands when removing them to avoid dropping.

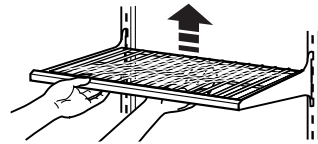
Refrigerator Shelves

Your model may have glass or wire shelves. Store similar foods together and adjust the shelves to fit different heights. This reduces the time the refrigerator door is open and saves energy.

To Remove and Replace Shelves:

1. Remove the shelf by lifting it up and out of the shelf brackets. Remove the shelf.
2. Replace the shelf by inserting it into the shelf brackets.

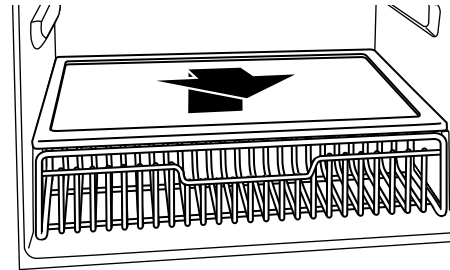
NOTE: Be sure the shelf is level.



Lower Shelf

To Remove and Replace Lower Shelf:

1. Remove the shelf by lifting it up and pulling it forward.
2. Replace the shelf by lowering it on the guides.

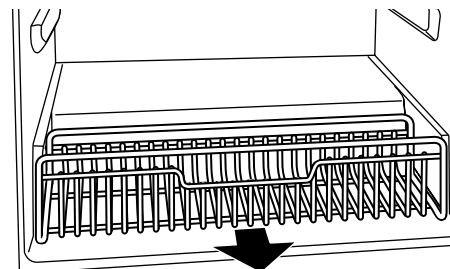


Wire Storage Bin

(on some models)

To Remove and Replace Wire Storage Bin:

1. Remove the bin by pulling it forward.
2. Replace the bin by sliding it back into place.



REFRIGERATOR CARE

Cleaning

⚠ WARNING



Explosion Hazard

Use nonflammable cleaner.

Failure to do so can result in death, explosion, or fire.

Clean the refrigerator about once a month to avoid buildup of odors. Wipe up spills immediately.

To clean your refrigerator:

1. Unplug refrigerator or disconnect power.
2. Remove all removable parts from inside, such as shelves, etc.
3. Hand wash, rinse, and dry removable parts and interior surfaces thoroughly. Use a clean sponge or soft cloth and a mild detergent in warm water.
 - Do not use abrasive or harsh cleaners such as window sprays, scouring cleansers, flammable fluids, cleaning waxes, concentrated detergents, bleaches or cleansers containing petroleum products on plastic parts, interior and door liners or gaskets. Do not use paper towels, scouring pads, or other harsh cleaning tools. These can scratch or damage materials.
 - To help remove odors, you can wash interior walls with a mixture of warm water and baking soda (2 tbs to 1 qt [26 g to 0.95 L] of water).
4. Wash stainless steel and painted metal exteriors with a clean sponge or soft cloth and a mild detergent in warm water. Do not use abrasive or harsh cleaners, or cleaners containing chlorine. These can scratch or damage materials. Dry thoroughly with a soft cloth.

NOTE: To keep your stainless steel refrigerator looking like new and to remove minor scuffs or marks, it is suggested that you use the manufacturer's approved Stainless Steel Cleaner and Polish. To order the cleaner, see "Accessories."

IMPORTANT: This cleaner is for stainless steel parts only!

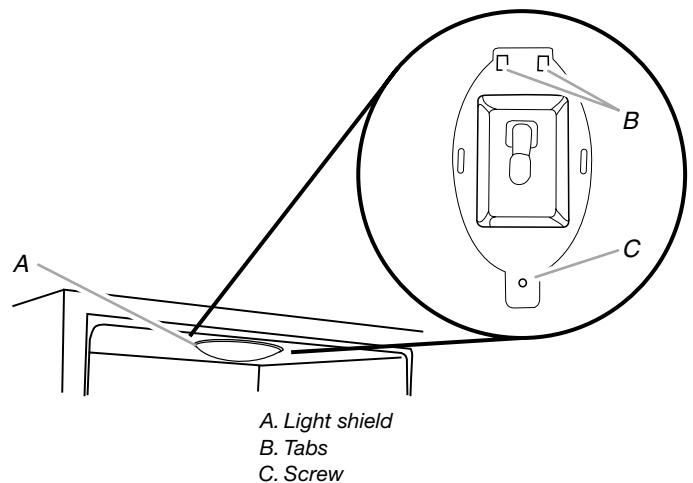
Do not allow the Stainless Steel Cleaner and Polish to come into contact with any plastic parts such as the trim pieces, dispenser covers or door gaskets. If unintentional contact does occur, clean plastic part with a sponge and mild detergent in warm water. Dry thoroughly with a soft cloth.
5. Replace the removable parts.
6. Clean the condenser coils regularly. They are located behind the base grille. Coils may need to be cleaned as often as every other month. This may help save energy.
 - Remove the base grille. See "Base Grille."
 - Use a vacuum cleaner with an extended attachment to clean the condenser coils when they are dusty or dirty.
 - Replace the base grille.
7. Plug in refrigerator or reconnect power.

Changing the Light Bulb

NOTE: Not all appliance bulbs will fit your refrigerator. Be sure to replace the bulb with one of the same size, shape, and wattage.

To change the light bulb:

1. Unplug refrigerator or disconnect power.
2. Using a Phillips screwdriver, remove the screw located at the back of the light shield. Pull the light shield back to remove the tabs from the appliance. Remove the light shield.



3. Replace the bulb.
4. Reinstall the light shield by inserting the tabs. Align the holes and insert the screw. Tighten the screw.
5. Plug in refrigerator or reconnect power.

Vacation and Moving Care

Vacations

If you choose to leave the refrigerator on while you're away, use up any perishables and freeze other items.

If you choose to turn the refrigerator off before you leave, follow these steps.

1. Remove all food from the refrigerator.
2. Unplug the refrigerator.
3. Clean the refrigerator. See "Cleaning."
4. Tape a rubber or wood block to the top of the door to prop it open far enough for air to get in. This stops odor and mold from building up.

Moving

When you are moving your refrigerator to a new home, follow these steps to prepare it for the move.

1. Remove all food from the refrigerator.
2. Unplug the refrigerator.
3. Clean, wipe, and dry it thoroughly.
4. Take out all removable parts, wrap them well, and tape them together so they don't shift and rattle during the move.
5. Tape the doors shut and tape the power cord to the back of the refrigerator.

When you get to your new home, put everything back and refer to the "Installation Instructions" section for preparation instructions.

TROUBLESHOOTING

Try the solutions suggested here first in order to avoid the cost of an unnecessary service call.

Your refrigerator will not operate

⚠ WARNING



Electrical Shock Hazard

Plug into a grounded 3 prong outlet.

Do not remove ground prong.

Do not use an adapter.

Do not use an extension cord.

Failure to follow these instructions can result in death, fire, or electrical shock.

- **Is the power supply cord unplugged?** Plug into a grounded 3 prong outlet.
- **Has a household fuse blown, or has a circuit breaker tripped?** Replace the fuse or reset the circuit.
- **Is the Refrigerator Control turned to the OFF position?** See “Using the Control.”

The lights do not work

- **Is the power supply cord unplugged?** Plug into a grounded 3 prong outlet.
- **Is a light bulb loose in the socket or burned out?** See “Changing the Light Bulb.”

The motor seems to run too much

- **Is the temperature outside hotter than normal?** Expect the motor to run longer under warm conditions. At normal outdoor temperatures, expect your motor to run about 40% to 80% of the time. Under warmer conditions, expect it to run even more of the time.
- **Has a large amount of food just been added to the refrigerator?** Adding a large amount of food warms the refrigerator. It is normal for the motor to run longer in order to cool the refrigerator back down.
- **Is the door opened often?** Expect the motor to run longer when this occurs. In order to conserve energy, try to get everything you need out of the refrigerator at once, keep food organized so it is easy to find, and close the door as soon as the food is removed.
- **Is the control set correctly for the surrounding conditions?** See “Using the Control.”
- **Is the door closed completely?** Push the door firmly shut. If it will not shut all the way, see “The door will not close completely” later in this section.
- **Are the condenser coils dirty?** This obstructs air transfer and makes the motor work harder. Clean the condenser coils. See “Cleaning.”

Temperature is too warm

- **Is the door opened often?** Be aware that the refrigerator will warm when this occurs. In order to keep the refrigerator cool, try to get everything you need out of the refrigerator at once, keep food organized so it is easy to find, and close the door as soon as the food is removed.
- **Has a large amount of food just been added to the refrigerator?** Adding a large amount of food warms the refrigerator. It can take several hours for the refrigerator to return to the normal temperature.
- **Is the control set correctly for the surrounding conditions?** See “Using the Control.”
- **Is the base grille blocked?** For best performance, do not install the refrigerator behind a cabinet door or block the base grille.

There is interior moisture buildup

- **Is the door opened often?** To avoid humidity buildup, try to get everything you need out of the refrigerator at once, keep food organized so it is easy to find, and close the door as soon as the food is removed. When the door is opened, humidity from the room air enters the refrigerator. The more often the door is opened, the faster humidity builds up, especially when the room itself is very humid.
- **Is it humid?** It is normal for moisture to build up inside the refrigerator when the air is humid.
- **Is the food packaged correctly?** Check that all food is securely wrapped. Wipe off damp food containers before placing in the refrigerator.
- **Is the control set correctly for the surrounding conditions?** See “Using the Control.”

The door is difficult to open

⚠ WARNING



Explosion Hazard

Use nonflammable cleaner.

Failure to do so can result in death, explosion, or fire.

- **Is the gasket dirty or sticky?** Clean the gasket and the surface that it touches. Rub a thin coat of paraffin wax on the gasket following cleaning.

The door will not close completely

- **Are food packages blocking the door open?** Rearrange containers so that they fit more tightly and take up less space.
- **Are the shelves out of position?** Put the shelves back into their correct positions. See “Refrigerator Use” for more information.

WARNING



Explosion Hazard

Use nonflammable cleaner.

Failure to do so can result in death, explosion, or fire.

- **Is the gasket sticking?** Clean the gasket and the surface that it touches. Rub a thin coat of paraffin wax on the gasket following cleaning.

ASSISTANCE OR SERVICE

Before calling for assistance or service, please check “Troubleshooting.” It may save you the cost of a service call. If you still need help, follow the instructions below.

When calling, please know the purchase date and the complete model and serial number of your appliance. This information will help us to better respond to your request.

If you need replacement parts

If you need to order replacement parts, we recommend that you only use factory specified replacement parts. Factory specified replacement parts will fit right and work right because they are made with the same precision used to build every new KITCHENAID® appliance.

To locate factory specified replacement parts in your area, call us or your nearest designated service center.

In the U.S.A.

Call the KitchenAid Customer eXperience Center toll free: **1-800-422-1230**.

Our consultants provide assistance with:

- Features and specifications on our full line of appliances.
- Installation information.
- Use and maintenance procedures.
- Accessory and repair parts sales.
- Specialized customer assistance (Spanish speaking, hearing impaired, limited vision, etc.).
- Referrals to local dealers, repair parts distributors, and service companies. KitchenAid designated service technicians are trained to fulfill the product warranty and provide after-warranty service, anywhere in the United States.

To locate the KitchenAid designated service company in your area, you can also look in your telephone directory Yellow Pages.

For further assistance

If you need further assistance, you can write to KitchenAid with any questions or concerns at:

KitchenAid Brand Home Appliances
Customer eXperience Center
553 Benson Road
Benton Harbor, MI 49022-2692

Please include a daytime phone number in your correspondence.

In Canada

Call the KitchenAid Canada Customer eXperience Centre toll free: **1-800-807-6777**.

Our consultants provide assistance with:

- Features and specifications on our full line of appliances.
- Use and maintenance procedures.
- Accessory and repair parts sales.
- Referrals to local dealers, repair parts distributors, and services companies. KitchenAid Canada designated service technicians are trained to fulfill the product warranty and provide after-warranty service, anywhere in Canada.

For further assistance

If you need further assistance, you can write to KitchenAid Canada with any questions or concerns at:

KitchenAid Canada
Customer eXperience Centre
1901 Minnesota Court
Mississauga, Ontario L5N 3A7

Please include a daytime phone number in your correspondence.

Accessories

To order accessories, call **1-800-442-9991** and ask for the appropriate part number listed below or contact your authorized KitchenAid dealer. In Canada, call **1-800-807-6777**.

Stainless Steel Cleaner & Polish

Order Part #4396095

KITCHENAID® REFRIGERATOR WARRANTY

LIMITED WARRANTY

For one year from the date of purchase, when this major appliance is operated and maintained according to instructions attached to or furnished with the product, KitchenAid brand of Whirlpool Corporation or Whirlpool Canada LP (hereafter "KitchenAid") will pay for factory specified parts and repair labor to correct defects in materials or workmanship that existed when this major appliance was purchased. Service must be provided by a KitchenAid designated service company. **YOUR SOLE AND EXCLUSIVE REMEDY UNDER THIS LIMITED WARRANTY SHALL BE PRODUCT REPAIR AS PROVIDED HEREIN.** This limited warranty is valid only in the United States or Canada and applies only when the major appliance is used in the country in which it was purchased. Proof of original purchase date is required to obtain service under this limited warranty.

SECOND THROUGH FIFTH YEAR LIMITED WARRANTY ON CAVITY LINER AND SEALED REFRIGERATION SYSTEM PARTS

In the second through fifth year from the date of purchase, when this major appliance is operated and maintained according to instructions attached to or furnished with the product, KitchenAid will pay for replacement or repair of the refrigerator/freezer cavity liner (including labor costs) if the part cracks due to defects in materials or workmanship that existed when this major appliance was purchased. Also, in the second through fifth year from the date of purchase, when this major appliance is operated and maintained according to instructions attached to or furnished with the product, KitchenAid will pay for factory specified parts and repair labor for the following components to correct defects in materials or workmanship in the sealed refrigeration system that existed when this major appliance was purchased: compressor, evaporator, condenser, dryer, and connecting tubing.

ITEMS EXCLUDED FROM WARRANTY

This limited warranty does not cover:

1. Replacement parts or repair labor if this major appliance is used for other than normal, single-family household use or when it is used in a manner that is inconsistent to published user or operator instructions and/or installation instructions.
 2. Service calls to correct the installation of your major appliance, to instruct you on how to use your major appliance, to replace or repair house fuses, or to correct house wiring or plumbing.
 3. Service calls to repair or replace appliance light bulbs, air filters or water filters. Consumable parts are excluded from warranty coverage.
 4. Damage resulting from accident, alteration, misuse, abuse, fire, flood, acts of God, improper installation, installation not in accordance with electrical or plumbing codes, or use of products not approved by KitchenAid.
 5. Cosmetic damage, including scratches, dents, chips or other damage to the finish of your major appliance, unless such damage results from defects in materials or workmanship and is reported to KitchenAid within 30 days from the date of purchase.
 6. Any food or medicine loss due to refrigerator or freezer product failures.
 7. Pickup and delivery. This major appliance is intended to be repaired in your home.
 8. Repairs to parts or systems resulting from unauthorized modifications made to the appliance.
 9. Expenses for travel and transportation for product service if your major appliance is located in a remote area where service by an authorized KitchenAid servicer is not available.
 10. The removal and reinstallation of your major appliance if it is installed in an inaccessible location or is not installed in accordance with KitchenAid's published installation instructions.
 11. Replacement parts or repair labor on major appliances with original model/serial numbers that have been removed, altered or cannot be easily determined.
-

DISCLAIMER OF IMPLIED WARRANTIES

IMPLIED WARRANTIES, INCLUDING ANY IMPLIED WARRANTY OF MERCHANTABILITY OR IMPLIED WARRANTY OF FITNESS FOR A PARTICULAR PURPOSE, ARE LIMITED TO ONE YEAR OR THE SHORTEST PERIOD ALLOWED BY LAW. Some states and provinces do not allow limitations on the duration of implied warranties of merchantability or fitness, so this limitation may not apply to you. This warranty gives you specific legal rights, and you also may have other rights that vary from state to state or province to province.

LIMITATION OF REMEDIES; EXCLUSION OF INCIDENTAL AND CONSEQUENTIAL DAMAGES

YOUR SOLE AND EXCLUSIVE REMEDY UNDER THIS LIMITED WARRANTY SHALL BE PRODUCT REPAIR AS PROVIDED HEREIN. KITCHENAID SHALL NOT BE LIABLE FOR INCIDENTAL OR CONSEQUENTIAL DAMAGES. Some states and provinces do not allow the exclusion or limitation of incidental or consequential damages, so these limitations and exclusions may not apply to you. This warranty gives you specific legal rights, and you also may have other rights that vary from state to state or province to province.

If outside the 50 United States and Canada, contact your authorized KitchenAid dealer to determine if another warranty applies.

If you think you need repair service, first see the "Troubleshooting" section of the Use & Care Guide. If you are unable to resolve the problem after checking "Troubleshooting," additional help can be found by checking the "Assistance or Service" section or by calling KitchenAid. In the U.S.A., call **1-800-422-1230**. In Canada, call **1-800-807-6777**.

5/08

Keep this book and your sales slip together for future reference. You must provide proof of purchase or installation date for in-warranty service.

Write down the following information about your major appliance to better help you obtain assistance or service if you ever need it. You will need to know your complete model number and serial number. You can find this information on the model and serial number label located on the product.

Dealer name _____
Address _____
Phone number _____
Model number _____
Serial number _____
Purchase date _____

SEGURIDAD DEL REFRIGERADOR

Su seguridad y la seguridad de los demás es muy importante.

Hemos incluido muchos mensajes importantes de seguridad en este manual y en su electrodoméstico. Lea y obedezca siempre todos los mensajes de seguridad.



Este es el símbolo de advertencia de seguridad.

Este símbolo le llama la atención sobre peligros potenciales que pueden ocasionar la muerte o una lesión a usted y a los demás.

Todos los mensajes de seguridad irán a continuación del símbolo de advertencia de seguridad y de la palabra "PELIGRO" o "ADVERTENCIA". Estas palabras significan:

⚠ PELIGRO

Si no sigue las instrucciones de inmediato, usted puede morir o sufrir una lesión grave.

⚠ ADVERTENCIA

Si no sigue las instrucciones, usted puede morir o sufrir una lesión grave.

Todos los mensajes de seguridad le dirán el peligro potencial, le dirán cómo reducir las posibilidades de sufrir una lesión y lo que puede suceder si no se siguen las instrucciones.

INSTRUCCIONES IMPORTANTES DE SEGURIDAD

ADVERTENCIA: Para reducir el riesgo de incendio, choque eléctrico, o lesiones personales al usar su refrigerador siga estas precauciones básicas:

- No quite la terminal de conexión a tierra.
- No use un cable eléctrico de extensión.
- Desconecte el suministro de energía antes de darle servicio.
- Vuelva a colocar todos los componentes y paneles antes de hacerlo funcionar.
- Remueva las puertas de su refrigerador viejo.
- Use un limpiador no inflamable.
- No use un adaptador.
- Mantenga los materiales y vapores inflamables, tales como gasolina, alejados del refrigerador.
- Use dos o más personas para mover e instalar el refrigerador.
- Conecte a un contacto de pared de conexión a tierra de 3 terminales.

CONSERVAR ESTAS INSTRUCCIONES

Cómo deshacerse de su viejo refrigerador

⚠ ADVERTENCIA

Peligro de Asfixia

Remueva las puertas de su refrigerador viejo.

No seguir esta instrucción puede ocasionar la muerte o daño al cerebro.

Antes de tirar su viejo refrigerador o congelador:

- Saque la puerta.
- Deje los estantes en su lugar así los niños no pueden meterse adentro con facilidad.



IMPORTANTE: El atrapamiento y asfixia de niños no es un problema del pasado. Los refrigeradores tirados y abandonados son un peligro, aún si van a quedar ahí "por unos pocos días". Si Ud. está por deshacerse de su refrigerador viejo, por favor siga las instrucciones que se dan a continuación para prevenir accidentes.

INSTRUCCIONES DE INSTALACIÓN

Piezas y herramientas

HERRAMIENTAS NECESARIAS:

Reúna las herramientas y piezas necesarias antes de comenzar la instalación.

- Destornillador Phillips

Requisitos de ubicación

⚠ ADVERTENCIA



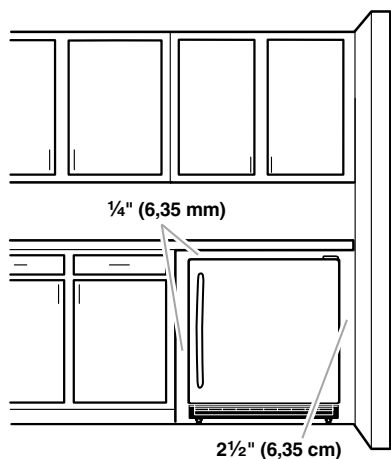
Peligro de Explosión

Mantenga los materiales y vapores inflamables, tales como gasolina, alejados del refrigerador.

No seguir esta instrucción puede ocasionar la muerte, explosión, o incendio.

Para asegurarse la ventilación adecuada del refrigerador, deje un espacio de 1/4" (6,35 mm) a cada lado y por encima. Si Ud. instala el refrigerador próximo a una pared fija, deje como mínimo 2 1/2" (6,35 cm) del lado de la bisagra para permitir que la puerta abra bien.

NOTA: No se recomienda instalar el refrigerador cerca de un horno, radiador u otra fuente de calor. No instale en un lugar donde la temperatura puede ser menor de 55°F (13°C). Para obtener un óptimo funcionamiento, no instale el refrigerador detrás de la puerta de un armario ni bloquee la rejilla de la base.



Requisitos eléctricos

⚠ ADVERTENCIA



Peligro de Choque Eléctrico

Conecte a un contacto de pared de conexión a tierra de 3 terminales.

No quite la terminal de conexión a tierra.

No use un adaptador.

No use un cable eléctrico de extensión.

No seguir estas instrucciones puede ocasionar la muerte, incendio o choque eléctrico.

Antes de mover el refrigerador a su ubicación final, es importante asegurarse que tiene la conexión eléctrica adecuada.

Método de conexión a tierra recomendado

Se requiere una fuente de energía eléctrica de 115 Voltios, 60 Hz., CA solamente y con fusibles de 15 ó 20 amperios, conectada a tierra. Se recomienda que use un circuito separado sólo para su refrigerador. Use un tomacorriente que no se pueda apagar con un interruptor. No use un cable eléctrico de extensión.

NOTA: Antes de realizar cualquier tipo de instalación, limpieza o de quitar un foco de luz, desenchufe el refrigerador o desconecte el suministro de energía.

Desempaque el refrigerador

⚠ ADVERTENCIA

Peligro de Peso Excesivo

Use dos o más personas para mover e instalar el refrigerador.

No seguir esta instrucción puede ocasionar una lesión en la espalda u otro tipo de lesiones.

Cómo quitar los materiales de empaque

- Quite los restos de cinta y goma de las superficies de su refrigerador antes de encenderlo. Frote un poco de detergente líquido para vajillas sobre el adhesivo con los dedos. Limpie con agua tibia y seque.
- No use instrumentos filosos, alcohol para fricciones, líquidos inflamables o productos de limpieza abrasivos para eliminar los restos de cinta o goma. Estos productos pueden dañar la superficie de su refrigerador. Para más información, vea "Seguridad del refrigerador".
- Deshágase de todos los materiales de embalaje o recíclelos.

Cómo mover su refrigerador:

Su refrigerador es pesado. Cuando mueva el refrigerador para limpiarlo o para darle servicio, cerciórese de cubrir el piso con cartón o madera para evitar daños en el mismo. Al mover el refrigerador, siempre tire directamente hacia afuera. No menee el refrigerador de lado a lado ni lo haga “caminar” cuando lo trate de mover ya que podría dañar el piso.

Limpieza antes del uso

Una vez que usted haya quitado todos los materiales de empaque, limpie el interior de su refrigerador antes de usarlo. Vea las instrucciones de limpieza en “Cuidado de su refrigerador”.

Información importante para saber acerca de los estantes y tapas de vidrio:

No limpie los estantes y tapas de vidrio con agua caliente mientras están fríos. Los estantes y tapas pueden romperse si se exponen a cambios bruscos de temperatura o impacto, como sería un golpe brusco. El vidrio templado se ha diseñado para hacerse añicos. Esto es normal. Los estantes y tapas de vidrio son muy pesados. Use ambas manos al sacarlos para evitar que se caigan.

Cómo cerrar la puerta

Cómo cerrar la puerta

Su refrigerador tiene cuatro patas niveladoras. Si su refrigerador parece inestable o usted quiere que las puertas se cierren con mayor facilidad, ajuste la inclinación del refrigerador usando las instrucciones siguientes.

⚠ ADVERTENCIA



Peligro de Choque Eléctrico

Conecte a un contacto de pared de conexión a tierra de 3 terminales.

No quite la terminal de conexión a tierra.

No use un adaptador.

No use un cable eléctrico de extensión.

No seguir estas instrucciones puede ocasionar la muerte, incendio o choque eléctrico.

1. Conecte a un contacto de pared de conexión a tierra de 3 terminales.

⚠ ADVERTENCIA

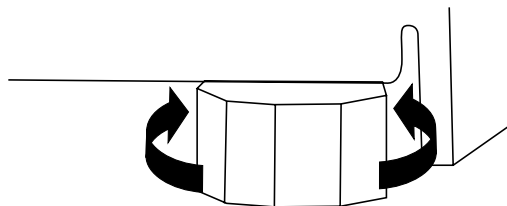
Peligro de Peso Excesivo

Use dos o más personas para mover e instalar el refrigerador.

No seguir esta instrucción puede ocasionar una lesión en la espalda u otro tipo de lesiones.

2. Mueva el refrigerador hacia su posición final.
3. Gire las patas niveladoras hacia la derecha para bajar el refrigerador o gírelas hacia la izquierda para levantarlo. Puede precisar darle varias vueltas a las patas niveladoras para ajustar la inclinación del refrigerador.

NOTA: Para quitar un poco de peso de las patas niveladoras, haga que alguien empuje la parte superior del refrigerador. Esto facilita el ajuste de las patas niveladoras.

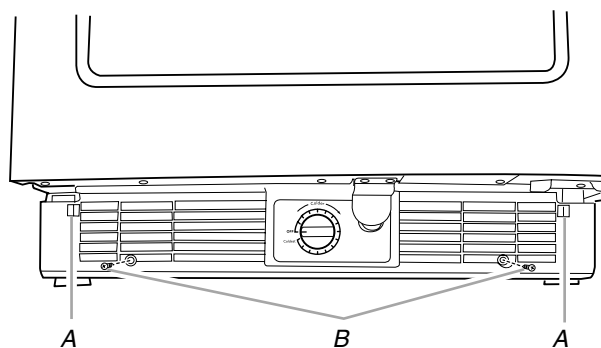


4. Abra la puerta y verifique para asegurarse de que se cierra con la facilidad que usted desea. De lo contrario, incline el refrigerador ligeramente más hacia la parte posterior, girando ambos tornillos reguladores frontales hacia la derecha. Puede tomar varias vueltas más, y usted deberá girar ambas patas niveladoras la misma cantidad de veces.

Rejilla de la base

Quite la rejilla de la base

1. Abra la puerta del refrigerador.
2. Saque los dos tornillos con un destornillador Phillips. Empuje ambas lengüetas hacia el centro para liberar la rejilla de la base del refrigerador.



A. Lengüetas
B. Tornillos

3. Quite la rejilla de la base.

Vuelva a colocar la rejilla de la base

1. Abra la puerta del refrigerador.
2. Coloque la rejilla de la base de manera que ambas lengüetas estén alineadas y la rejilla de la base encaje en su lugar. Vuelva a colocar los dos tornillos. Apriete los tornillos.

USO DE SU REFRIGERADOR

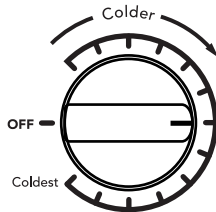
Sonidos normales

Su nuevo refrigerador puede hacer sonidos que su viejo refrigerador no hacía. Como estos sonidos son nuevos para Ud., puede ser que se preocupe. La mayoría de los sonidos nuevos son normales. Las superficies duras tales como el piso y las estructuras circundantes pueden hacer que los sonidos parezcan más fuertes. A continuación se describen los tipos de sonidos y qué puede causarlos.

- Su refrigerador está diseñado para funcionar con más eficiencia para conservar sus alimentos a la temperatura deseada. El compresor y los ventiladores de alta eficiencia pueden causar que su nuevo refrigerador funcione por períodos de tiempo más largos que su refrigerador viejo. También puede escuchar un sonido pulsante o agudo del compresor o los ventiladores que se ajustan para un funcionamiento óptimo.
- Las vibraciones pueden producirse por el flujo de líquido refrigerante o artículos guardados dentro del refrigerador.
- Al final de cada ciclo, Ud. puede escuchar un gorgoteo debido al flujo de líquido refrigerante en su refrigerador.
- Ud. puede escuchar agua corriendo hacia la bandeja recolectora cuando el refrigerador se está descongelando.
- Es posible que escuche sonidos como de chasquido cuando el refrigerador comienza o deja de funcionar.

Uso del control

Para su comodidad, el control de su refrigerador ha sido prefijado de fábrica. Al instalar su refrigerador por primera vez, cerciórese de que el control aún esté prefijado en el ajuste medio, como se ilustra.



Cómo ajustar los controles

El ajuste medio indicado en la sección previa debe estar correcto para el uso normal de un refrigerador familiar en el hogar. El control está fijado correctamente cuando las bebidas están tan frías como a usted le gusta.

Si necesita ajustar la temperatura, espere por lo menos 24 horas entre un ajuste y otro, y después vuelva a verificar la temperatura.

Para hacer que el refrigerador esté más frío, coloque el control en el siguiente ajuste más alto. Para hacer que el refrigerador esté menos frío, coloque el control en el siguiente ajuste más bajo.

CARACTERÍSTICAS DEL REFRIGERADOR

Información importante para saber acerca de los estantes y tapas de vidrio:

No limpie los estantes y tapas de vidrio con agua caliente mientras están fríos. Los estantes y tapas pueden romperse si se exponen a cambios bruscos de temperatura o impacto, como sería un golpe brusco. El vidrio templado se ha diseñado para hacerse añicos. Esto es normal. Los estantes y tapas de vidrio son muy pesados. Use ambas manos al sacarlos para evitar que se caigan.

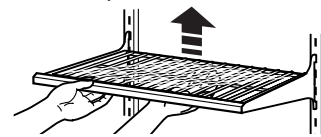
Estantes del refrigerador

Su modelo podrá tener estantes de vidrio o de alambre. Guarde los alimentos similares juntos y ajuste los estantes para que se adapten a las diferentes alturas. Esto reduce el tiempo que la puerta del refrigerador está abierta a la vez que ahorra energía.

Para quitar y volver a colocar los estantes:

1. Quite el estante levantándolo y jalándolo hacia fuera de los soportes del mismo. Saque el estante.
2. Vuelva a colocar el estante insertándolo sobre los soportes del mismo.

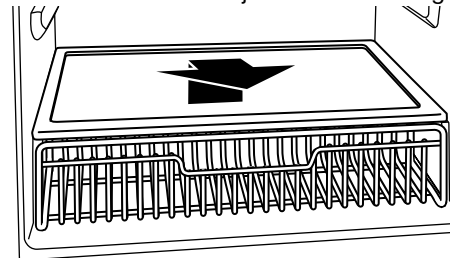
NOTA: Cerciórese de que el estante esté nivelado.



Estante inferior

Para quitar y volver a colocar el estante inferior:

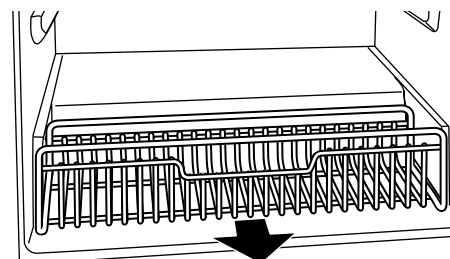
1. Quite el estante levantándolo y jalándolo hacia afuera.
2. Vuelva a colocar el estante bajándolo sobre las guías.



Depósito de alambre (en algunos modelos)

Para quitar y volver a colocar el depósito de alambre:

1. Quite el depósito jalándolo hacia adelante.
2. Vuelva a colocar el depósito deslizándolo nuevamente en el lugar.



CUIDADO DEL REFRIGERADOR

Limpieza

⚠ ADVERTENCIA



Peligro de Explosión

Use un limpiador no inflamable.

No seguir esta instrucción puede ocasionar la muerte, explosión o incendio.

Limpie el refrigerador más o menos una vez al mes para evitar la acumulación de olores. Limpie los derrames de inmediato.

Para limpiar su refrigerador:

1. Desenchufe el refrigerador o desconecte el suministro de energía.
2. Quite todas las partes desmontables del interior, tales como estantes, etc.
3. Lave a mano, enjuague y seque todas las partes desmontables y las superficies interiores meticulosamente. Use una esponja limpia o un paño liso y un detergente suave en agua tibia.
 - No use productos de limpieza abrasivos o ásperos, como aerosoles para ventanas, productos de limpieza para pulir, líquidos inflamables, ceras para limpieza, detergentes concentrados, blanqueadores o productos de limpieza que contengan productos de petróleo en las partes de plástico, revestimientos interiores o de la puerta o empaquetaduras. No use toallas de papel, estropajos para fregar u otros utensilios de limpieza ásperos. Estos pueden rayar o dañar los materiales.
 - Para ayudar a eliminar olores, puede lavar las paredes interiores con una mezcla de agua tibia y bicarbonato de sodio (2 cucharadas en un cuarto de galón [26 g en 0,95 L] de agua).
4. Lave las superficies externas metálicas pintadas y de acero inoxidable con una esponja limpia o un paño suave y detergente delicado con agua tibia. No use productos de limpieza abrasivos o ásperos o que contengan cloro. Éstos pueden rayar o dañar los materiales. Seque meticulosamente con un paño suave.

NOTA: Para mantener como nuevo su refrigerador de acero inoxidable y para quitar marcas o rayaduras pequeñas, se sugiere usar un limpiador de acero inoxidable aprobado por el fabricante. Para ordenar el limpiador, vea "Accesorios".

IMPORTANTE: ¡Este limpiador es solamente para partes de acero inoxidable!

No permita que el limpiador de acero inoxidable entre en contacto con ninguna parte de plástico tales como las piezas decorativas, las tapas del despachador o las empaquetaduras de la puerta. Si se produce contacto no intencional, limpie la pieza de plástico con una esponja y detergente suave en agua tibia. Seque meticulosamente con un paño suave.

5. Vuelva a colocar las partes desmontables.

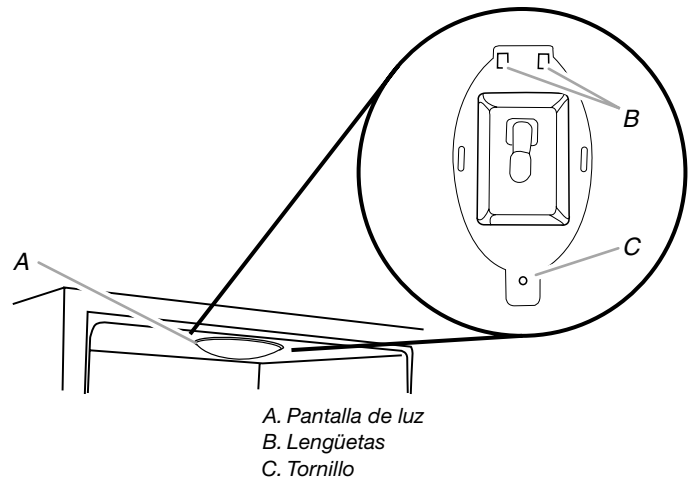
6. Limpie los serpentines del condensador regularmente. Están ubicados detrás de la rejilla de la base. Quizás necesite limpiar los serpentines cada dos meses. Esto puede ayudar a ahorrar energía.
 - Quite la rejilla de la base. Vea "Rejilla de la base".
 - Use una aspiradora con extensión para limpiar los serpentines del condensador siempre que estén sucios o polvorientos.
 - Vuelva a colocar la rejilla de la base.
7. Enchufe el refrigerador o reconecte el suministro de energía.

Cómo cambiar el foco

NOTA: No todos los focos para electrodomésticos son adecuados para su refrigerador. Asegúrese de reemplazar el foco con otro del mismo tamaño, forma y vataje.

Para cambiar el foco:

1. Desenchufe el refrigerador o desconecte el suministro de energía.
2. Saque el tornillo que está detrás de la pantalla de luz con un destornillador Phillips. Jale hacia atrás la pantalla de luz para quitar las lengüetas del electrodoméstico. Saque la pantalla de luz.



3. Reemplace el foco.
4. Vuelva a instalar la pantalla de luz insertando las lengüetas. Alinee los orificios e inserte el tornillo. Apriete el tornillo.
5. Enchufe el refrigerador o reconecte el suministro de energía.

Cuidado durante las vacaciones y mudanzas

Vacaciones

Si usted decide dejar el refrigerador funcionando mientras está ausente, use todo lo que se pueda echar a perder y congele los otros artículos.

Si Ud. decide apagar el refrigerador antes de irse, siga estos pasos.

1. Saque toda la comida del refrigerador.
2. Desenchufe el refrigerador.
3. Limpie el refrigerador. Vea "Limpieza".
4. Fije un bloque de goma o de madera con cinta adhesiva a la parte superior de la puerta para que quede abierta y el aire circule. Esto evita que se formen olores y que crezcan hongos.

Mudanza

Si Ud. muda su refrigerador a una casa nueva, siga los siguientes pasos para prepararse para la mudanza.

1. Saque toda la comida del refrigerador.
2. Desenchufe el refrigerador.
3. Límpielo, enjuáguelo y séquelo detalladamente.

4. Saque todas las partes desmontables, envuélvalas bien y asegúrelas con cinta adhesiva para que no se sacudan durante la mudanza.
5. Sostenga las puertas cerradas y el cable pegado a la parte posterior del refrigerador con cinta adhesiva.

Cuando llegue a la casa nueva, ponga todo de nuevo y lea la sección "Instrucciones de instalación" para obtener instrucciones de preparación.

SOLUCIÓN DE PROBLEMAS

Primero pruebe las soluciones sugeridas aquí para evitar el costo innecesario del servicio.

Su refrigerador no funciona

⚠ ADVERTENCIA



Peligro de Choque Eléctrico

Conecte a un contacto de pared de conexión a tierra de 3 terminales.

No quite la terminal de conexión a tierra.

No use un adaptador.

No use un cable eléctrico de extensión.

No seguir estas instrucciones puede ocasionar la muerte, incendio o choque eléctrico.

- **¿Está desenchufado el cable de suministro de energía?** Conecte a un contacto de pared de conexión a tierra de 3 terminales.
- **¿Hay un fusible de la casa fundido o se disparó el cortacircuitos?** Reemplace el fusible o reposicione el cortacircuitos.
- **¿Está el control del refrigerador en la posición OFF (Apagado)?** Vea "Uso del control".

Las luces no funcionan

- **¿Está desconectado el cable eléctrico?** Conecte a un contacto de pared de conexión a tierra de 3 terminales.
- **¿Está flojo o quemado un foco?** Vea "Cómo cambiar el foco".

Parece que el motor funciona excesivamente

- **¿Está la temperatura exterior más alta de lo normal?** En condiciones de calor, el motor funciona por períodos más largos. Cuando la temperatura exterior es normal, el motor funciona entre 40% y 80% del tiempo. Bajo condiciones más calientes, puede funcionar por aún más tiempo.

- **¿Se acaba de agregar una gran cantidad de alimentos al refrigerador?** Agregar grandes cantidades de alimentos hace que se caliente el refrigerador. Es normal que el motor funcione por períodos más prolongados para volver a enfriar el refrigerador.
- **¿Se abre la puerta a menudo?** Cuando esto ocurre, el motor puede funcionar por períodos más largos. Para ahorrar energía, trate de sacar todo lo que necesite del refrigerador de una vez, mantenga los alimentos ordenados para que sean fáciles de encontrar y cierre la puerta una vez que se hayan sacado los alimentos.
- **¿Se ha ajustado el control correctamente de acuerdo con las condiciones circundantes?** Vea "Uso del control".
- **¿Está completamente cerrada la puerta?** Cierre la puerta con firmeza. Si no se cierra completamente, vea "La puerta no cierra completamente" más adelante en esta sección.
- **¿Están sucios los serpentines del condensador?** Esto obstruye la transferencia de aire y hace que el motor trabaje más. Limpie los serpentines del condensador. Vea "Limpieza".

La temperatura está demasiado caliente

- **¿Se abre la puerta a menudo?** Sea consciente de que el refrigerador se calienta cuando esto ocurre. Para mantener el refrigerador frío, trate de sacar todo lo que necesite del refrigerador de una vez, mantenga los alimentos ordenados para que sean fáciles de encontrar y cierre la puerta una vez que se hayan sacado los alimentos.
- **¿Se acaba de agregar una gran cantidad de alimentos al refrigerador?** Agregar grandes cantidades de alimentos hace que se caliente el refrigerador. Pueden transcurrir varias horas hasta que el refrigerador recupere su temperatura normal.
- **¿Se ha ajustado el control correctamente de acuerdo con las condiciones circundantes?** Vea "Uso del control".
- **¿Está bloqueada la rejilla de la base?** Para obtener un óptimo funcionamiento, no instale el refrigerador detrás de la puerta de un armario ni bloquee la rejilla de la base.

Hay acumulación de humedad en el interior

- **¿Se abre la puerta a menudo?** Para evitar la acumulación de humedad, trate de sacar todo lo que necesite del refrigerador de una vez, mantenga los alimentos ordenados para que sean fáciles de encontrar y cierre la puerta una vez que haya sacado los alimentos. Cuando la puerta está abierta, la humedad de la habitación entra al refrigerador. La humedad se acumula más rápido cuanto más seguido se abre la puerta, especialmente cuando la habitación está muy húmeda.

- **¿Hay humedad?** Es normal que se acumule humedad dentro del refrigerador cuando el aire está húmedo.
- **¿Se han envuelto correctamente los alimentos?** Verifique que todos los alimentos estén bien envueltos. Seque los recipientes húmedos antes de colocarlos en el refrigerador.
- **¿Se ha ajustado el control correctamente de acuerdo con las condiciones circundantes?** Vea “Uso del control”.

Es difícil abrir la puerta

⚠ ADVERTENCIA



Peligro de Explosión

Use un limpiador no inflamable.


No seguir esta instrucción puede ocasionar la muerte, explosión o incendio.

- **¿Está la empaquetadura sucia o pegajosa?** Limpie la empaquetadura y la superficie que ésta toque. Frote una capa delgada de cera de parafina sobre la empaquetadura después de la limpieza.

La puerta no cierra completamente

- **¿Hay paquetes de comida que impiden que se cierre la puerta?** Ordene los recipientes de manera que queden más juntos y ocupen menos espacio.
- **¿Están fuera de posición los estantes?** Coloque nuevamente los estantes en su posición correcta. Para obtener más información, vea “Uso de su refrigerador”.

⚠ ADVERTENCIA



Peligro de Explosión

Use un limpiador no inflamable.

No seguir esta instrucción puede ocasionar la muerte, explosión o incendio.

- **¿Está la empaquetadura pegajosa?** Limpie la empaquetadura y la superficie que ésta toque. Frote una capa delgada de cera de parafina sobre la empaquetadura después de la limpieza.

AYUDA O SERVICIO TÉCNICO

Antes de solicitar ayuda o servicio técnico, por favor consulte la sección “Solución de Problemas”. Esto le podría ahorrar el costo de una visita de servicio técnico. Si considera que aún necesita ayuda, siga las instrucciones que aparecen a continuación.

Cuando llame, tenga a mano la fecha de compra y el número completo del modelo y de la serie de su electrodoméstico. Esta información nos ayudará a atender mejor a su pedido.

Si necesita piezas de repuesto

Si necesita pedir refacciones, recomendamos que use únicamente piezas de repuesto especificadas de fábrica. Las piezas de repuesto especificadas de fábrica encajarán bien y funcionarán bien ya que están confeccionadas con la misma precisión empleada en la fabricación de cada electrodoméstico nuevo de KITCHENAID®.

Para encontrar piezas de repuesto especificadas de fábrica en su localidad, llámenos o llame al centro de servicio técnico designado más cercano a su localidad.

En los EE.UU.

Llame al centro para la eXperiencia del cliente de KitchenAid sin costo alguno al: **1-800-422-1230**.

Nuestros consultores ofrecen ayuda para:

- Características y especificaciones de nuestra línea completa de electrodomésticos.
- Información sobre la instalación.

- Procedimiento para el uso y mantenimiento.
- Venta de accesorios y partes para reparación.
- Asistencia especializada para el consumidor (habla hispana, problemas de audición, visión limitada, etc.).
- Recomendaciones con distribuidores locales, compañías que dan servicio y distribuidores de partes para reparación. Los técnicos designados por KitchenAid están entrenados para cumplir con la garantía de producto y ofrecer servicio una vez que la garantía termine, en cualquier lugar de los Estados Unidos.

Para localizar a una compañía de servicio designada por KitchenAid en su área, también puede consultar la sección amarilla de su guía telefónica.

Para obtener asistencia adicional

Si necesita asistencia adicional, puede escribir a KitchenAid con sus preguntas o dudas a:

KitchenAid Brand Home Appliances
Customer eXperience Center
553 Benson Road
Benton Harbor, MI 49022-2692

Por favor incluya en su correspondencia un número de teléfono en el que se le pueda localizar durante el día.

En Canadá

Llame al Centro para la eXperiencia del cliente de KitchenAid en Canadá sin costo alguno al: **1-800-807-6777**.

Nuestros consultores ofrecen ayuda para:

- Características y especificaciones de nuestra línea completa de electrodomésticos.
- Procedimiento para el uso y mantenimiento.
- Venta de accesorios y partes para reparación.
- Recomendaciones con distribuidores locales, compañías que dan servicio y distribuidores de partes para reparación. Los técnicos designados por KitchenAid Canada están entrenados para cumplir con la garantía de producto y ofrecer servicio una vez que la garantía termine, en cualquier lugar de Canadá.

Para obtener asistencia adicional

Si necesita asistencia adicional, puede escribir a KitchenAid Canada con sus preguntas o dudas a:

KitchenAid Canada
Customer eXperience Centre
1901 Minnesota Court
Mississauga, Ontario L5N 3A7

Por favor incluya en su correspondencia un número de teléfono en el que se le pueda localizar durante el día.

Accesorios

Para pedir accesorios, llame al **1-800-442-9991** y solicite el número de pieza apropiado que se detalla a continuación o póngase en contacto con su distribuidor autorizado de KitchenAid. En Canadá, llame al **1-800-807-6777**.

Limpiador de acero inoxidable

Pida la pieza No. 4396095

GARANTÍA DEL REFRIGERADOR DE KITCHENAID®

GARANTÍA LIMITADA

Durante un año a partir de la fecha de compra, siempre y cuando se dé a este electrodoméstico principal un uso y mantenimiento de conformidad con las instrucciones adjuntas o provistas con el producto, la marca KitchenAid de Whirlpool Corporation o Whirlpool Canada LP (en lo sucesivo denominada "KitchenAid") se hará cargo del costo de las piezas especificadas de fábrica y del trabajo de reparación para corregir defectos en los materiales o en la mano de obra, existentes en el momento de la compra de este electrodoméstico principal. El servicio deberá ser suministrado por una compañía de servicio designada por KitchenAid. **SU ÚNICO Y EXCLUSIVO RECURSO SEGÚN LOS TÉRMINOS DE ESTA GARANTÍA LIMITADA SERÁ EL DE REPARAR EL PRODUCTO SEGÚN SE ESTIPULA EN LA PRESENTE.** Esta garantía limitada es válida solamente en Estados Unidos o en Canadá, y se aplica solamente cuando el electrodoméstico principal se use en el país en el que se ha comprado. Se requiere una prueba de la fecha de compra original para obtener servicio bajo esta garantía limitada.

GARANTÍA LIMITADA DEL SEGUNDO AL QUINTO AÑO EN EL REVESTIMIENTO DE LA CAVIDAD Y LAS PIEZAS DEL SISTEMA DE REFRIGERACIÓN SELLADO

Durante el segundo al quinto año desde la fecha de compra, cuando este refrigerador sea operado y mantenido de acuerdo a las instrucciones adjuntas o provistas con el producto, KitchenAid pagará por el reemplazo o la reparación del revestimiento de la cavidad del refrigerador/congelador (incluyendo los costos de mano de obra) si la pieza se rompiera debido a defectos de material o de mano de obra, existentes en el momento de la compra de este electrodoméstico principal. Además, del segundo al quinto año de la fecha de compra, siempre y cuando se dé a este electrodoméstico principal un uso y mantenimiento de conformidad con las instrucciones adjuntas o provistas con el producto, KitchenAid pagará por las piezas especificadas de fábrica y mano de obra para los componentes a continuación, para corregir defectos en los materiales o en la mano de obra en el sistema de refrigeración sellado, existentes en el momento de la compra de este electrodoméstico principal: compresor, evaporador, condensador, secador y los tubos conectores.

EXCLUSIONES DE LA GARANTÍA

Esta garantía limitada no cubre:

1. Piezas de repuesto o mano de obra si este electrodoméstico principal se usa de un modo diferente al doméstico normal de una familia, o cuando se use de un modo contrario a las instrucciones publicadas para el usuario u operador y/o las instrucciones de instalación.
2. Visitas de servicio técnico para corregir la instalación de su electrodoméstico principal, para enseñarle a usar su electrodoméstico principal, para cambiar o reparar fusibles domésticos o para corregir la instalación eléctrica o de la tubería de la casa.
3. Visitas de servicio técnico para reparar o reemplazar focos para electrodomésticos, filtros de aire o filtros de agua. Las piezas de consumo están excluidas de la cobertura de la garantía.
4. Daños causados por accidente, alteración, uso indebido, abuso, incendio, inundación, actos fortuitos, instalación incorrecta, instalación que no esté de acuerdo con los códigos eléctricos o de plomería, o el empleo de productos no aprobados por KitchenAid.
5. Daños estéticos, incluyendo rayaduras, abolladuras, desportilladuras u otro daño al acabado de su electrodoméstico principal, a menos que el mismo sea debido a defectos en los materiales o la mano de obra y se le informe a KitchenAid en un lapso de 30 días a partir de la fecha de compra.
6. Cualquier pérdida de comida o medicamentos debido a fallas del refrigerador o del congelador.
7. Recogida y entrega. Este electrodoméstico principal se ha destinado para ser reparado en el hogar.
8. Reparaciones de piezas o sistemas como resultado de modificaciones no autorizadas que se hayan efectuado en el electrodoméstico.
9. Gastos de viaje y transporte para obtener servicio para el producto, si su electrodoméstico principal está ubicado en un lugar remoto en el cual no haya disponible un técnico de servicio autorizado por KitchenAid.
10. La remoción y reinstalación de su electrodoméstico principal, si estuviera instalado en un lugar inaccesible o si no estuviera instalado de conformidad con las instrucciones de instalación publicadas por KitchenAid.
11. Piezas de repuesto o mano de obra en electrodomésticos principales con números de modelo/serie originales que se hayan removido, alterado o que no puedan ser identificados con facilidad.

EXCLUSIÓN DE GARANTÍAS IMPLÍCITAS

LAS GARANTÍAS IMPLÍCITAS, INCLUYENDO CUALQUIER GARANTÍA IMPLÍCITA DE COMERCIABILIDAD O GARANTÍA IMPLÍCITA DE CAPACIDAD PARA UN PROPÓSITO PARTICULAR, SERÁN LIMITADAS A UN AÑO O AL PERÍODO MÁS CORTO PERMITIDO POR LEY. Algunos estados y provincias no permiten la limitación de la duración de garantías implícitas de comerciabilidad o aptitud, de modo que la limitación arriba indicada quizás no le corresponda. Esta garantía le otorga derechos legales específicos, y es posible que usted tenga también otros derechos que varían de un estado a otro o de una provincia a otra.

LIMITACIÓN DE RECURSOS; EXCLUSIÓN DE DAÑOS INCIDENTALES O CONSECUENTES

SU ÚNICO Y EXCLUSIVO RECURSO SEGÚN LOS TÉRMINOS DE ESTA GARANTÍA LIMITADA SERÁ EL DE REPARAR EL PRODUCTO SEGÚN SE ESTIPULA EN LA PRESENTE. KITCHENAID NO SE RESPONSABILIZARÁ POR DAÑOS INCIDENTALES O CONSECUENTES. Algunos estados y provincias no permiten la exclusión o limitación de daños incidentales o consecuentes, de modo que estas limitaciones y exclusiones quizás no le correspondan. Esta garantía le otorga derechos legales específicos, y es posible que usted tenga también otros derechos que varían de un estado a otro o de una provincia a otra.

Si usted se encuentra fuera de los cincuenta Estados Unidos y Canadá, póngase en contacto con su distribuidor autorizado de KitchenAid para determinar si corresponde otra garantía.

Si considera que necesita servicio de reparación, consulte primero la sección “Solución de problemas” del Manual de uso y cuidado. Si no ha podido resolver el problema después de consultar la sección “Solución de problemas”, puede encontrar ayuda adicional en la sección “Ayuda o servicio técnico”, o llamando a KitchenAid. En los EE.UU., llame al **1-800-422-1230**. En Canadá, llame al **1-800-807-6777**.

6/08

Guarde este libro y su comprobante de compra juntos para referencia futura. Usted deberá proporcionar el comprobante de la compra o una fecha de instalación para obtener servicio bajo la garantía.

Escriba la siguiente información acerca de su electrodoméstico principal para ayudarlo mejor a obtener asistencia o servicio técnico si alguna vez llegara a necesitarlo. Deberá tener a mano el número completo del modelo y de la serie. Usted puede encontrar esta información en la etiqueta con el número de modelo y de serie ubicada en el producto.

Nombre del distribuidor _____

Dirección _____

Número de teléfono _____

Número de modelo _____

Número de serie _____

Fecha de compra _____

SÉCURITÉ DU RÉFRIGÉRATEUR

Votre sécurité et celle des autres est très importante.

Nous donnons de nombreux messages de sécurité importants dans ce manuel et sur votre appareil ménager. Assurez-vous de toujours lire tous les messages de sécurité et de vous y conformer.



Voici le symbole d'alerte de sécurité.

Ce symbole d'alerte de sécurité vous signale les dangers potentiels de décès et de blessures graves à vous et à d'autres.

Tous les messages de sécurité suivront le symbole d'alerte de sécurité et le mot "DANGER" ou "AVERTISSEMENT". Ces mots signifient :

⚠ DANGER

Risque possible de décès ou de blessure grave si vous ne suivez pas immédiatement les instructions.

⚠ AVERTISSEMENT

Risque possible de décès ou de blessure grave si vous ne suivez pas les instructions.

Tous les messages de sécurité vous diront quel est le danger potentiel et vous disent comment réduire le risque de blessure et ce qui peut se produire en cas de non-respect des instructions.

IMPORTANTES INSTRUCTIONS DE SÉCURITÉ

AVERTISSEMENT : Pour réduire les risques d'incendie, de choc électrique ou des blessures lors de l'utilisation du réfrigérateur, prendre quelques précautions fondamentales, y compris les suivantes :

- Brancher l'appareil sur une prise à 3 alvéoles reliée à la terre.
- Ne pas enlever la broche de liaison à la terre.
- Ne pas utiliser un adaptateur.
- Ne pas utiliser un câble de rallonge.
- Utiliser deux ou plus de personnes pour déplacer et installer le réfrigérateur.
- Débrancher la source de courant électrique avant l'entretien.
- Replacer pièces et panneaux avant de faire la remise en marche.
- Utiliser un produit de nettoyage ininflammable.
- Garder les matériaux et les vapeurs inflammables, telle que l'essence, loin du réfrigérateur.
- Enlever les portes de votre vieux réfrigérateur.

CONSERVEZ CES INSTRUCTIONS

Mise au rebut de votre vieux réfrigérateur

⚠ AVERTISSEMENT

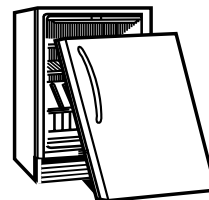
Risque de suffoquer

Enlever les portes de votre vieux réfrigérateur.

Le non-respect de cette instruction peut causer un décès ou des lésions cérébrales.

Avant de jeter votre vieux réfrigérateur ou congélateur :

- Enlever la porte.
- Laisser les tablettes en place de sorte que les enfants ne puissent pas y pénétrer facilement.



IMPORTANT : L'emprisonnement et l'étouffement des enfants ne sont pas un problème du passé. Les réfrigérateurs jetés ou abandonnés sont encore dangereux, même s'ils sont laissés abandonnés pendant "quelques jours seulement". Si vous vous débarrassez de votre vieux réfrigérateur, veuillez suivre les instructions suivantes pour aider à éviter les accidents.

INSTRUCTIONS D'INSTALLATION

Outillage et pièces

OUTILLAGE NÉCESSAIRE :

Rassembler les outils et pièces nécessaires avant de commencer l'installation.

- Tournevis Phillips

Exigences d'emplacement

⚠ AVERTISSEMENT



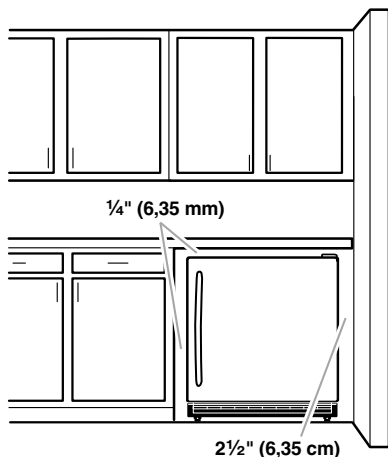
Risque d'explosion

Garder les matériaux et les vapeurs inflammables, telle que l'essence, loin du réfrigérateur.

Le non-respect de cette instruction peut causer un décès, une explosion ou un incendie.

Pour obtenir une aération appropriée pour votre réfrigérateur, laisser un espace de ¼" (6,35 mm) de chaque côté et au sommet. En cas d'installation du réfrigérateur près d'un mur fixe, laisser un minimum de 2½" (6,35 cm) du côté de la charnière pour permettre à la porte de s'ouvrir sans obstruction.

REMARQUE : Il est recommandé de ne pas installer le réfrigérateur près d'un four, d'un radiateur ou de toute autre source de chaleur. Ne pas installer le réfrigérateur dans un endroit où la température baissera au-dessous de 55°F (13°C). Pour le meilleur rendement, ne pas installer le réfrigérateur derrière une porte d'armoire ni bloquer la grille de la base.



Spécifications électriques

⚠ AVERTISSEMENT



Risque de choc électrique

Brancher sur une prise à 3 alvéoles reliée à la terre.

Ne pas enlever la broche de liaison à la terre.

Ne pas utiliser un adaptateur.

Ne pas utiliser un câble de rallonge.

Le non-respect de ces instructions peut causer un décès, un incendie ou un choc électrique.

Avant de placer le réfrigérateur à son emplacement final, il est important de vous assurer d'avoir la connexion électrique appropriée.

Méthode recommandée de mise à la terre

Une source d'alimentation de 115 volts, 60 Hz, type 15 ou 20 ampères CA seulement, protégée par fusibles et adéquatement mise à la terre est nécessaire. Il est recommandé d'utiliser un circuit distinct pour alimenter uniquement votre réfrigérateur. Utiliser une prise murale qui ne peut pas être mise hors circuit à l'aide d'un commutateur. Ne pas utiliser un câble de rallonge.

REMARQUE : Avant d'exécuter tout type d'installation, nettoyage ou remplacement d'une ampoule d'éclairage, débrancher le réfrigérateur ou déconnecter la source de courant électrique.

Déballage du réfrigérateur

⚠ AVERTISSEMENT

Risque du poids excessif

Utiliser deux ou plus de personnes pour déplacer et installer le réfrigérateur.

Le non-respect de cette instruction peut causer une blessure au dos ou d'autre blessure.

Enlèvement des matériaux d'emballage

- Enlever le ruban adhésif et la colle des surfaces du réfrigérateur avant de le mettre en marche. Frotter une petite quantité de savon liquide pour la vaisselle sur l'adhésif avec les doigts. Rincer à l'eau tiède et essuyer.
- Ne pas utiliser d'instruments coupants, d'alcool à friction, de liquides inflammables ou de nettoyants abrasifs pour enlever le ruban adhésif ou la colle. Ces produits peuvent endommager la surface de votre réfrigérateur. Pour plus de renseignements, voir "Sécurité du réfrigérateur".
- Jeter ou recycler tous les matériaux d'emballage.

Déplacement de votre réfrigérateur :

Votre réfrigérateur est lourd. Lors du déplacement de votre réfrigérateur pour le nettoyage ou un entretien ou réparation, veiller à recouvrir le plancher avec du carton ou un panneau de fibres dures pour éviter qu'il ne subisse tout dommage. Toujours tirer le réfrigérateur tout droit lors de son déplacement. Ne pas incliner le réfrigérateur d'un côté ou de l'autre ni le "faire marcher" en essayant de le déplacer car le plancher pourrait être endommagé.

Nettoyage avant l'utilisation

Après avoir enlevé tous les matériaux d'emballage, nettoyer l'intérieur du réfrigérateur avant de l'utiliser. Voir les instructions de nettoyage dans "Entretien du réfrigérateur".

Importants renseignements à savoir au sujet des tablettes et des couvercles en verre :

Ne pas nettoyer les tablettes ou couvercles en verre avec de l'eau tiède quand ils sont froids. Les tablettes et les couvercles peuvent se briser s'ils sont exposés à des changements soudains de température ou à un impact tel que coup brusque. Le verre trempé est conçu pour éclater en d'innombrables pièces minuscules. Ceci est normal. Les tablettes et les couvercles en verre sont lourds. Les saisir à deux mains lors de leur dépose afin d'éviter de les faire tomber.

Fermeture de la porte

Fermeture de la porte

Le réfrigérateur dispose de quatre pieds de réglage de l'aplomb. Si le réfrigérateur semble instable ou si vous désirez que la porte se ferme plus facilement, ajuster l'inclinaison du réfrigérateur en observant les instructions ci-dessous.

⚠ AVERTISSEMENT



Risque de choc électrique

Brancher sur une prise à 3 alvéoles reliée à la terre.

Ne pas enlever la broche de liaison à la terre.

Ne pas utiliser un adaptateur.

Ne pas utiliser un câble de rallonge.

Le non-respect de ces instructions peut causer un décès, un incendie ou un choc électrique.

1. Brancher sur une prise à 3 alvéoles reliée à la terre.

⚠ AVERTISSEMENT

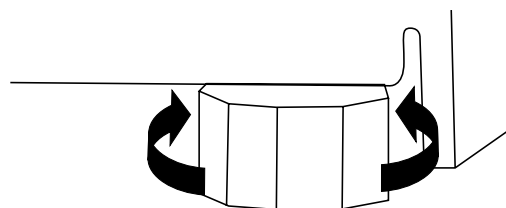
Risque du poids excessif

Utiliser deux ou plus de personnes pour déplacer et installer le réfrigérateur.

Le non-respect de cette instruction peut causer une blessure au dos ou d'autre blessure.

2. Déplacer le réfrigérateur à sa position finale.
3. Tourner les pieds de réglage de l'aplomb vers la droite pour abaisser le réfrigérateur ou tourner les pieds de réglage de l'aplomb vers la gauche pour le soulever. Il peut être nécessaire de tourner les pieds de réglage de l'aplomb plusieurs fois pour ajuster l'inclinaison du réfrigérateur.

REMARQUE : Si une autre personne pousse le haut du réfrigérateur, le poids devient moins lourd sur les pieds de réglage de l'aplomb, ce qui rend plus facile l'ajustement des pieds de réglage de l'aplomb.

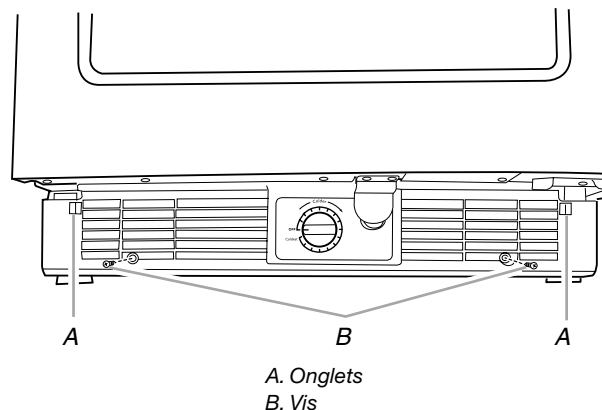


4. Ouvrir la porte et s'assurer qu'elle ferme comme vous le désirez. Sinon, incliner le réfrigérateur un peu plus vers l'arrière en tournant les deux vis de réglage de l'aplomb avant vers la droite. Plusieurs tours peuvent être nécessaires et il convient de tourner les deux vis de réglage de l'aplomb de façon égale.

Grille de la base

Dépose de la grille de la base

1. Ouvrir la porte du réfrigérateur.
2. À l'aide d'un tournevis Phillips, ôter les deux vis. Pousser les deux onglets vers le centre pour dégager la grille de la base du réfrigérateur.



3. Retirer la grille de la base.

Réinstallation de la grille de la base

1. Ouvrir la porte du réfrigérateur.
2. Positionner la grille de la base de façon à ce que les onglets soient alignés et que la grille de la base s'emboîte. Réinstaller les deux vis. Serrer les vis.

UTILISATION DU RÉFRIGÉRATEUR

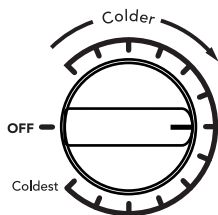
Sons normaux

Il est possible que le réfrigérateur neuf émette des sons que l'appareil précédent ne produisait pas. Comme ces sons sont nouveaux, ils peuvent vous inquiéter. La plupart de ces nouveaux sons sont normaux. Les sons peuvent vous sembler plus forts avec des surfaces dures telles que le plancher et les structures adjacentes. Les descriptions suivantes indiquent les genres de sons et leur cause possible.

- Votre réfrigérateur est conçu pour fonctionner plus efficacement afin de conserver les aliments aux températures désirées et pour minimiser la consommation d'énergie. Le compresseur et les ventilateurs très efficaces peuvent faire fonctionner votre réfrigérateur plus longtemps que l'ancien. Il se peut également que vous entendiez un bruit saccadé ou aigu provenant du compresseur ou des ventilateurs qui s'ajustent pour optimiser la performance.
- Des vibrations sonores peuvent provenir de l'écoulement du réfrigérant ou d'articles placés dans le réfrigérateur.
- À la fin de chaque programme, vous pouvez entendre un gargouillement attribuable au réfrigérant qui se trouve dans votre réfrigérateur.
- Vous pouvez entendre l'écoulement de l'eau dans le plateau de récupération lorsque le réfrigérateur dégivre.
- Vous pouvez entendre des déclics lorsque le réfrigérateur se met en marche ou s'arrête.

Utilisation de la commande

Pour votre commodité, la commande du réfrigérateur est pré-réglée à l'usine. Lors de l'installation initiale du réfrigérateur, s'assurer que la commande est encore pré-réglée au réglage moyen tel qu'illustré.



Ajustement des commandes

Les réglages moyens indiqués à la section précédente devraient convenir pour une utilisation normale du réfrigérateur. La commande est réglée correctement lorsque les boissons sont à la température idéale.

S'il est nécessaire d'ajuster la température, attendre au moins 24 heures entre chaque ajustement puis revérifier la température.

Pour rendre le réfrigérateur plus froid, ajuster la commande au réglage plus élevé suivant. Pour rendre le réfrigérateur moins froid, ajuster la commande au réglage plus bas suivant.

CARACTÉRISTIQUES DU RÉFRIGÉRATEUR

Importants renseignements à savoir au sujet des tablettes et des couvercles en verre :

Ne pas nettoyer les tablettes ou couvercles en verre avec de l'eau tiède quand ils sont froids. Les tablettes et les couvercles peuvent se briser s'ils sont exposés à des changements soudains de température ou à un impact tel que coup brusque. Le verre trempé est conçu pour éclater en d'innombrables pièces minuscules. Ceci est normal. Les tablettes et les couvercles en verre sont lourds. Les saisir à deux mains lors de leur dépose afin d'éviter de les faire tomber.

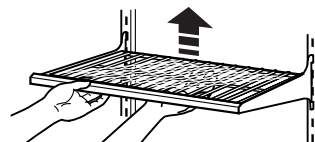
Tablettes du réfrigérateur

Votre modèle peut être doté de tablettes en verre ou de clayettes. Conserver les aliments similaires ensemble et régler les tablettes pour les adapter à différentes hauteurs. Ceci réduira la durée d'ouverture de la porte du réfrigérateur et fera économiser de l'énergie.

Pour enlever et réinstaller les tablettes :

1. Ôter la tablette en la soulevant pour la sortir des supports de tablette. Retirer la tablette.
2. Réinstaller la tablette en l'introduisant dans les supports de tablette.

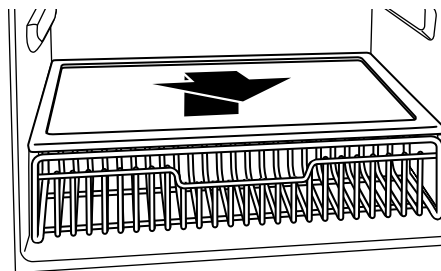
REMARQUE : Vérifier que la tablette est d'aplomb.



Tablette inférieure

Pour enlever et réinstaller la tablette inférieure :

1. Enlever la tablette en la soulevant et en tirant vers l'avant.
2. Réinstaller la tablette en l'abaissant sur les guides.

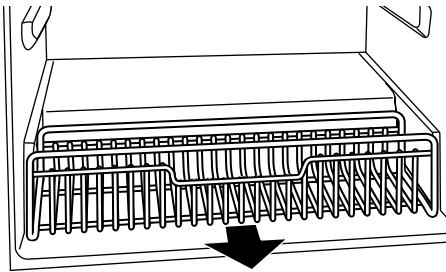


Compartiment de rangement métallique

(sur certains modèles)

Pour retirer et réinstaller le compartiment de rangement métallique :

1. Enlever le compartiment en le tirant vers l'avant.
2. Réinstaller le compartiment en le reglissant en place.



ENTRETIEN DU RÉFRIGÉRATEUR

Nettoyage

AVERTISSEMENT



Risque d'explosion

Utiliser un produit de nettoyage ininflammable.

Le non-respect de cette instruction peut causer un décès, une explosion ou un incendie.

Nettoyer le réfrigérateur environ une fois par mois pour empêcher une accumulation d'odeurs. Essuyer les renversements immédiatement.

Nettoyage du réfrigérateur :

1. Débrancher le réfrigérateur ou déconnecter la source de courant électrique.
2. Retirer toutes les pièces amovibles de l'intérieur, telles que les tablettes, etc.
3. Laver à la main, rincer et sécher les pièces amovibles et les surfaces internes à fond. Utiliser une éponge propre ou un linge doux et un détergent doux dans de l'eau tiède.
 - Ne pas utiliser de nettoyants forts ou abrasifs tels que les nettoyants à vitre en atomiseurs, nettoyants à récureur, liquides inflammables, cires nettoyantes, détergents concentrés, eaux de Javel ou nettoyants contenant du pétrole sur les pièces en plastique, les garnitures intérieures et de portes ou les joints de portes. Ne pas utiliser d'essuie-tout, tampons à récureur ou autres outils de nettoyage abrasifs. Ces produits risquent d'égratigner ou d'endommager les matériaux.
 - Pour aider à éliminer les odeurs, on peut laver les parois intérieures avec un mélange d'eau tiède et de bicarbonate de soude (2 c. à soupe pour 1 pinte [26 g pour 0,95 L] d'eau).

4. Laver les surfaces extérieures en acier inoxydable et peintes avec une éponge propre ou un linge doux et un détergent doux dans de l'eau tiède. Ne pas utiliser de produits de nettoyage forts ou abrasifs, ni de nettoyants à base de chlore. Ces produits risquent d'égratigner ou d'endommager les matériaux. Sécher à fond avec un linge doux.

REMARQUE : Pour conserver à votre réfrigérateur en acier inoxydable son aspect neuf et enlever les petites égratignures ou marques, il est suggéré d'utiliser le Nettoyant et poli pour acier inoxydable approuvé par le fabricant. Pour commander le nettoyant, voir la section "Accessoires".

IMPORTANT : Ce nettoyant est destiné aux pièces en acier inoxydable seulement!

Veiller à ce que le nettoyant et poli pour acier inoxydable n'entre pas en contact avec les pièces de plastique telles que garnitures, couvercles de distributeurs ou joints de porte. En cas de contact non intentionnel, nettoyer la pièce de plastique avec une éponge et un détergent doux et de l'eau tiède. Sécher à fond avec un linge doux.

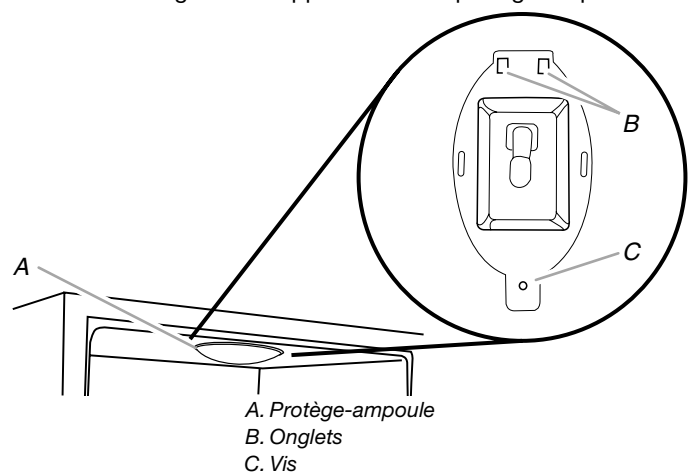
5. Remettre en place les parties amovibles.
6. Nettoyer régulièrement les serpentins du condenseur. Ils sont situés derrière la grille de la base. Il se peut que les serpentins aient besoin d'être nettoyés tous les deux mois. Ce nettoyage peut aider à économiser de l'énergie.
 - Enlever la grille de la base. Voir "Grille de la base".
 - Employer un aspirateur avec un accessoire long pour nettoyer les serpentins du condenseur lorsqu'ils sont sales ou poussiéreux.
 - Réinstaller la grille de la base.
7. Brancher le réfrigérateur ou reconnecter la source de courant électrique.

Changement de l'ampoule d'éclairage

REMARQUE : Toutes les ampoules pour appareils ménagers ne conviendront pas à votre réfrigérateur. S'assurer de faire le remplacement par une ampoule de grosseur, de forme et de puissance semblables.

Changement de l'ampoule :

1. Débrancher le réfrigérateur ou déconnecter la source de courant électrique.
2. À l'aide d'un tournevis Phillips, ôter la vis située à l'arrière du protège-ampoule. Tirer le protège-ampoule vers l'arrière pour retirer les onglets de l'appareil. Ôter le protège-ampoule.



3. Remplacer l'ampoule.
4. Réinstaller le protège-ampoule en insérant les onglets. Aligner les trous et insérer la vis. Serrer la vis.
5. Brancher le réfrigérateur ou reconnecter la source de courant électrique.

Précautions à prendre pour les vacances et avant un déménagement

Vacances

Si vous laissez votre réfrigérateur allumé pendant votre absence, consommer toutes les denrées périssables et congeler les autres aliments.

Si vous choisissez d'arrêter le réfrigérateur avant de partir, suivre ces étapes.

1. Enlever tous les aliments du réfrigérateur.
2. Débrancher le réfrigérateur.
3. Nettoyer le réfrigérateur. Voir "Nettoyage".
4. À l'aide de ruban adhésif, placer un bloc de caoutchouc ou de bois dans la partie supérieure de la porte de façon à ce qu'elle soit suffisamment ouverte pour permettre l'entrée de l'air à l'intérieur, afin d'éviter l'accumulation d'odeur ou de moisissure.

Déménagement

En cas de déménagement et de déplacement du réfrigérateur dans une nouvelle habitation, suivre ces étapes pour préparer le déménagement.

1. Enlever tous les aliments du réfrigérateur.
2. Débrancher le réfrigérateur.
3. Nettoyer, essuyer et sécher à fond.
4. Retirer toutes les pièces amovibles, bien les envelopper et les attacher ensemble à l'aide de ruban adhésif pour qu'elles ne bougent pas ni ne s'entrechoquent durant le déménagement.
5. Fermer les portes à l'aide de ruban adhésif et fixer le cordon d'alimentation à la partie arrière du réfrigérateur.

Lorsque vous arriverez à votre nouvelle habitation, remettre tout en place et consulter la section "Instructions d'installation" pour les instructions de préparation.

DÉPANNAGE

Essayer les solutions suggérées ici d'abord afin d'éviter le coût d'une visite de service non nécessaire.

Votre réfrigérateur ne fonctionne pas

AVERTISSEMENT



Risque de choc électrique

Brancher sur une prise à 3 alvéoles reliée à la terre.

Ne pas enlever la broche de liaison à la terre.

Ne pas utiliser un adaptateur.

Ne pas utiliser un câble de rallonge.

Le non-respect de ces instructions peut causer un décès, un incendie ou un choc électrique.

- **Le cordon d'alimentation électrique est-il débranché?** Brancher sur une prise à 3 alvéoles reliée à la terre.
- **Un fusible est-il grillé ou le disjoncteur s'est-il déclenché?** Remplacer le fusible ou réenclencher le disjoncteur.
- **La commande du réfrigérateur est-elle réglée à la position OFF (arrêt)?** Voir "Utilisation de la commande".

Les ampoules ne fonctionnent pas

- **Le cordon d'alimentation est-il débranché?** Brancher sur une prise à 3 alvéoles reliée à la terre.
- **Une ampoule est-elle desserrée dans la douille ou grillée?** Voir "Changement de l'ampoule d'éclairage".

Le moteur semble fonctionner excessivement

- **La température ambiante est-elle plus élevée que d'habitude?** Prévoir que le moteur fonctionnera plus longtemps dans des conditions de chaleur. Pour des températures extérieures normales, prévoir que le moteur fonctionne à peu près 40 % à 80 % du temps. Dans des conditions plus chaudes, prévoir un fonctionnement encore plus fréquent.
- **Vient-on d'ajouter une grande quantité d'aliments au réfrigérateur?** L'ajout d'une grande quantité d'aliments réchauffe le réfrigérateur. Il est normal que le moteur fonctionne plus longtemps afin de refroidir de nouveau le réfrigérateur.
- **La porte est-elle ouverte fréquemment?** Prévoir que le moteur fonctionnera plus longtemps dans ce cas. Afin de conserver l'énergie, essayer de sortir du réfrigérateur tout ce dont vous avez besoin en une fois, garder les aliments organisés de sorte qu'ils soient faciles à trouver et fermer la porte dès que les aliments ont été retirés.
- **Le réglage est-il correct pour les conditions existantes?** Voir "Utilisation de la commande".
- **La porte est-elle bien fermée?** Pousser la porte pour qu'elle soit bien fermée. Si elle ne ferme pas complètement, voir "La porte ne ferme pas complètement" plus loin dans cette section.
- **Les serpentins du condenseur sont-ils sales?** Cette situation fait obstruction au transfert de l'air et fait travailler davantage le moteur. Nettoyer les serpentins du condenseur. Voir "Nettoyage".

La température est trop élevée

- **La porte est-elle ouverte fréquemment?** Prévoir que le réfrigérateur deviendra tiède dans ce cas. Pour garder le réfrigérateur froid, essayer de sortir du réfrigérateur tout ce dont vous avez besoin en une fois, garder les aliments organisés de sorte qu'ils soient faciles à trouver et fermer la porte dès que les aliments ont été retirés.

- **Vient-on d'ajouter une grande quantité d'aliments au réfrigérateur?** L'ajout d'une grande quantité d'aliments réchauffe le réfrigérateur. Plusieurs heures peuvent être nécessaires pour que le réfrigérateur revienne à la température normale.
- **Le réglage est-il correct pour les conditions existantes?** Voir "Utilisation de la commande".
- **La grille de la base est-elle bloquée?** Pour le meilleur rendement, ne pas installer le réfrigérateur derrière une porte d'armoire ni bloquer la grille de la base.

Il existe une accumulation d'humidité à l'intérieur

- **La porte est-elle ouverte fréquemment?** Pour éviter l'accumulation d'humidité, essayer de sortir du réfrigérateur tout ce dont vous avez besoin en une fois, garder les aliments organisés de sorte qu'ils soient faciles à trouver et fermer la porte dès que les aliments ont été retirés. Lorsque la porte est ouverte, l'humidité de l'air extérieur pénètre dans le réfrigérateur. Plus la porte est ouverte, plus l'humidité s'accumule rapidement, surtout lorsque la pièce est très humide.
- **La pièce est-elle humide?** Il est normal que de l'humidité s'accumule à l'intérieur du réfrigérateur lorsque l'air est humide.
- **Les aliments sont-ils bien emballés?** Vérifier que tous les aliments sont bien emballés. Essuyer les contenants humides avant de les placer dans le réfrigérateur.
- **Le réglage est-il correct pour les conditions existantes?** Voir "Utilisation de la commande".

La porte est difficile à ouvrir

⚠ AVERTISSEMENT



Risque d'explosion

Utiliser un produit de nettoyage ininflammable.

Le non-respect de cette instruction peut causer un décès, une explosion ou un incendie.

- **Le joint est-il sale ou collant?** Nettoyer le joint et la surface avec laquelle il est en contact. Frotter en appliquant une fine couche de paraffine sur le joint après le nettoyage.

La porte ne ferme pas complètement

- **Les aliments emballés empêchent-ils la porte de fermer?** Réorganiser les contenants de sorte qu'ils soient plus rapprochés et prennent moins d'espace.
- **Les tablettes sont-elles bien en place?** Remettre les tablettes à la bonne position. Voir "Utilisation du réfrigérateur" pour plus de renseignements.

⚠ AVERTISSEMENT



Risque d'explosion

Utiliser un produit de nettoyage ininflammable.

Le non-respect de cette instruction peut causer un décès, une explosion ou un incendie.

- **Le joint colle-t-il?** Nettoyer le joint et la surface avec laquelle il est en contact. Frotter en appliquant une fine couche de paraffine sur le joint après le nettoyage.

ASSISTANCE OU SERVICE

Avant de faire un appel pour assistance ou service, veuillez vérifier "Dépannage". Cette vérification peut vous faire économiser le coût d'une visite de service. Si vous avez encore besoin d'aide, suivez les instructions ci-dessous.

Lors d'un appel, veuillez connaître la date d'achat et les numéros de modèle et de série complets de votre appareil. Ces renseignements nous aideront à mieux répondre à votre demande.

Si vous avez besoin de pièces de rechange

Si vous avez besoin de commander des pièces de rechange, nous vous recommandons d'utiliser seulement les pièces de rechange spécifiées par l'usine. Les pièces de rechange spécifiées par l'usine conviendront bien et fonctionneront bien parce qu'elles sont fabriquées selon les mêmes spécifications précises utilisées pour fabriquer chaque nouvel appareil KITCHENAID®.

Pour savoir où trouver des pièces de rechange spécifiées par l'usine dans votre région, nous appelons ou contacter le centre de service désigné le plus proche.

Aux États-Unis

Téléphoner au Centre pour l'eXpérience de la clientèle de KitchenAid sans frais : **1-800-422-1230**.

Nos consultants fournissent de l'assistance pour :

- Caractéristiques et spécifications de notre gamme complète d'appareils ménagers.
- Renseignements d'installation.
- Procédés d'utilisation et d'entretien.
- Vente d'accessoires et de pièces de rechange.
- Assistance spécialisée au client (langue espagnole, malentendants, malvoyants, etc.).
- Les références aux concessionnaires, compagnies de service de réparation et distributeurs de pièces de rechange locaux. Les techniciens de service désignés par KitchenAid sont formés pour remplir la garantie des produits et fournir un service après garantie partout aux États-Unis.

Pour localiser la compagnie de service désignée par KitchenAid dans votre région, vous pouvez également consulter les Pages jaunes.

Pour plus d'assistance

Si vous avez besoin de plus d'assistance, vous pouvez écrire à KitchenAid en soumettant toute question ou problème à :

KitchenAid Brand Home Appliances
Customer eXperience Center
553 Benson Road
Benton Harbor, MI 49022-2692

Dans votre correspondance, veuillez indiquer un numéro de téléphone où l'on peut vous joindre dans la journée.

Au Canada

Téléphoner sans frais au Centre pour l'eXpérience de la clientèle de KitchenAid Canada au : **1-800-807-6777**.

Nos consultants fournissent de l'assistance pour :

- Caractéristiques et spécifications de notre gamme complète d'appareils ménagers.
- Procédés d'utilisation et d'entretien.
- Vente d'accessoires et de pièces de rechange.
- Les références aux concessionnaires, compagnies de service de réparation et distributeurs de pièces de rechange locaux. Les techniciens de service désignés par KitchenAid Canada sont formés pour remplir la garantie des produits et fournir un service après la garantie, partout au Canada.

Pour plus d'assistance

Si vous avez besoin de plus d'assistance, vous pouvez écrire à KitchenAid Canada en soumettant toute question ou problème à :

KitchenAid Canada
Centre pour l'eXpérience de la clientèle
1901 Minnesota Court
Mississauga, Ontario L5N 3A7

Dans votre correspondance, veuillez indiquer un numéro de téléphone où l'on peut vous joindre dans la journée.

Accessoires

Pour commander des accessoires, composer le **1-800-442-9991** et demander le numéro de pièce approprié ci-dessous ou contacter votre marchand autorisé KitchenAid. Au Canada, composer le **1-800-807-6777**.

Nettoyant et poli pour acier inoxydable

Commander la pièce n° 4396095

GARANTIE DU RÉFRIGÉRATEUR KITCHENAID®

GARANTIE LIMITÉE

Pendant un an à compter de la date d'achat, lorsque ce gros appareil ménager est utilisé et entretenu conformément aux instructions jointes à ou fournies avec le produit, KitchenAid, marque de Whirlpool Corporation ou Whirlpool Canada LP (ci-après désignée "KitchenAid") paiera pour les pièces spécifiées par l'usine et la main-d'œuvre pour corriger les vices de matériaux ou de fabrication qui existaient déjà lorsque ce gros appareil ménager a été acheté. Le service doit être fourni par une compagnie de service désignée par KitchenAid. LE SEUL ET EXCLUSIF RECOURS DU CLIENT DANS LE CADRE DE LA PRÉSENTE GARANTIE LIMITÉE CONSISTE EN LA RÉPARATION PRÉVUE CI-DESSUS. Cette garantie limitée est valide uniquement aux États-Unis ou au Canada et s'applique exclusivement lorsque le gros appareil ménager est utilisé dans le pays où il a été acheté. Une preuve de la date d'achat d'origine est exigée pour obtenir un service dans le cadre de la présente garantie limitée.

GARANTIE LIMITÉE DE LA DEUXIÈME À LA CINQUIÈME ANNÉE INCLUSIVEMENT SUR LA DOUBLURE DE LA CAVITÉ ET LES PIÈCES DU SYSTÈME DE RÉFRIGÉRATION SCELLÉ

De la deuxième à la cinquième année inclusivement à compter de la date d'achat, lorsque ce gros appareil ménager est utilisé et entretenu conformément aux instructions jointes à ou fournies avec le produit, KitchenAid paiera pour le remplacement ou la réparation de la doublure de la cavité du réfrigérateur/congélateur (frais de main-d'œuvre inclus) si la pièce se fissure à cause de vices de matériaux ou de fabrication qui existaient déjà lorsque ce gros appareil ménager a été acheté. De même, de la deuxième à la cinquième année inclusivement à partir de la date d'achat, lorsque ce gros appareil ménager est utilisé et entretenu conformément aux instructions jointes à ou fournies avec le produit, KitchenAid paiera pour les pièces spécifiées par l'usine et la main-d'œuvre pour corriger les vices de matériaux ou de fabrication du système de réfrigération scellé qui existaient déjà lorsque ce gros appareil ménager a été acheté pour les pièces suivantes : compresseur, évaporateur, condenseur, séchoir et conduits de connexion.

ÉLÉMENTS EXCLUS DE LA GARANTIE

La présente garantie limitée ne couvre pas :

1. Les pièces de rechange ou la main-d'œuvre lorsque ce gros appareil ménager est utilisé à des fins autres que l'usage domestique unifamilial normal ou lorsque les instructions d'installation et/ou les instructions de l'opérateur ou de l'utilisateur fournies ne sont pas respectées.
2. Les visites de service pour rectifier l'installation du gros appareil ménager, montrer à l'utilisateur comment utiliser le gros appareil ménager, remplacer ou réparer des fusibles du domicile ou rectifier le câblage ou la plomberie du domicile.
3. Les visites de service pour réparer ou remplacer les ampoules électriques, les filtres à air ou les filtres à eau de l'appareil. Les pièces consommables ne sont pas couvertes par la garantie.
4. Les dommages imputables à : accident, modification, usage impropre ou abusif, incendie, inondation, actes de Dieu, installation fautive ou installation non conforme aux codes d'électricité ou de plomberie, ou l'utilisation de produits non approuvés par KitchenAid.
5. Les défauts d'apparence, notamment les éraflures, traces de choc, fissures ou tout autre dommage subi par le fini du gros appareil ménager, à moins que ces dommages ne résultent de vices de matériaux ou de fabrication et ne soient signalés à KitchenAid dans les 30 jours suivant la date d'achat.
6. Toute perte d'aliments ou de médicaments due à une défaillance du réfrigérateur ou du congélateur.
7. Le ramassage et la livraison. Ce gros appareil ménager est conçu pour être réparé à domicile.
8. Les réparations aux pièces ou systèmes résultant d'une modification non autorisée faite à l'appareil.

9. Les frais de déplacement et de transport pour le service du produit si votre gros appareil ménager est situé dans une région éloignée où un fournisseur de services d'entretien ou de réparation KitchenAid autorisé n'est pas disponible.
10. La dépose et la réinstallation de votre gros appareil ménager si celui-ci est installé dans un endroit inaccessible ou n'est pas installé conformément aux instructions d'installation fournies par KitchenAid.
11. Les pièces de rechange ou la main-d'œuvre pour les gros appareils ménagers dont les numéros de modèle/de série ont été enlevés, modifiés ou ne peuvent pas être facilement identifiés.

CLAUSE D'EXONÉRATION DE RESPONSABILITÉ AU TITRE DES GARANTIES IMPLICITES

LES GARANTIES IMPLICITES, Y COMPRIS LES GARANTIES APPLICABLES DE QUALITÉ MARCHANDE OU D'APTITUDE À UN USAGE PARTICULIER, SONT LIMITÉES À UN AN OU À LA PLUS COURTE PÉRIODE AUTORISÉE PAR LA LOI. Certains États et provinces ne permettent pas de limitation sur la durée d'une garantie implicite de qualité marchande ou d'aptitude à un usage particulier, de sorte que la limitation ci-dessus peut ne pas être applicable dans votre cas. Cette garantie vous confère des droits juridiques spécifiques, et vous pouvez également jouir d'autres droits qui peuvent varier d'une juridiction à l'autre.

LIMITATION DES RECOURS; EXCLUSION DES DOMMAGES FORTUITS OU INDIRECTS

LE SEUL ET EXCLUSIF RECOURS DU CLIENT DANS LE CADRE DE LA PRÉSENTE GARANTIE LIMITÉE CONSISTE EN LA RÉPARATION PRÉVUE CI-DESSUS. KITCHENAID N'ASSUME AUCUNE RESPONSABILITÉ POUR LES DOMMAGES FORTUITS OU INDIRECTS. Certains États et certaines provinces ne permettent pas l'exclusion ou la limitation des dommages fortuits ou indirects, de sorte que ces limitations et exclusions peuvent ne pas être applicables dans votre cas. Cette garantie vous confère des droits juridiques spécifiques, et vous pouvez également jouir d'autres droits qui peuvent varier d'une juridiction à l'autre.

Si vous résidez à l'extérieur des 50 États des États-Unis et du Canada, contactez votre marchand KitchenAid autorisé pour déterminer si une autre garantie s'applique.

Si vous avez besoin d'un service de réparation, voir d'abord la section "Dépannage" du guide d'utilisation et d'entretien. Si vous êtes dans l'incapacité de résoudre le problème après avoir vérifié la section "Dépannage", vous pourrez trouver de l'aide supplémentaire en vérifiant la section "Assistance ou service" ou en appelant KitchenAid. Aux É.-U., composer le **1-800-422-1230**. Au Canada, composer le **1-800-807-6777**.

6/08

Conservez ce manuel et votre reçu de vente ensemble pour référence ultérieure. Pour le service sous garantie, vous devez présenter un document prouvant la date d'achat ou d'installation.

Inscrivez les renseignements suivants au sujet de votre gros appareil ménager pour mieux vous aider à obtenir assistance ou service en cas de besoin. Vous devrez connaître le numéro de modèle et le numéro de série au complet. Vous trouverez ces renseignements sur la plaque signalétique située sur le produit.

Nom du marchand _____

Adresse _____

Numéro de téléphone _____

Numéro de modèle _____

Numéro de série _____

Date d'achat _____

**W10199299A /
8336411962720**

© 2009. All rights reserved.

Todos los derechos reservados.

Tous droits réservés.

® Registered Trademark/TM Trademark of KitchenAid, U.S.A., KitchenAid Canada licensee in Canada

® Marca registrada/TM Marca de comercio de KitchenAid, U.S.A., usada en Canadá bajo licencia de KitchenAid Canada

© Marque déposée/TM Marque de commerce de KitchenAid, U.S.A., Emploi sous licence par KitchenAid Canada au Canada

7/09
Printed in Mexico

Impreso en México

Imprimé au Mexique